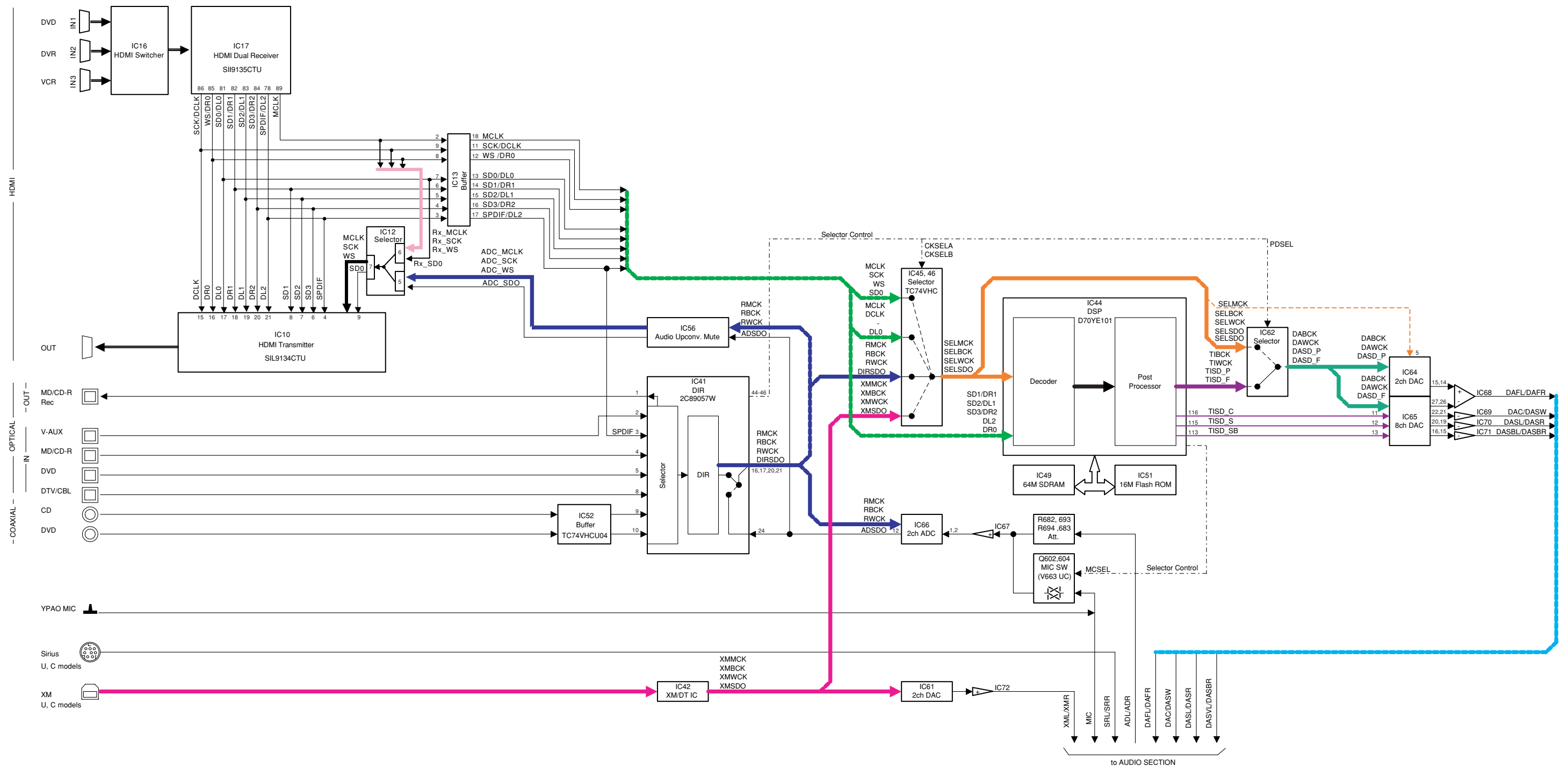


1 ■ BLOCK DIAGRAMS

AUDIO (DIGITAL) SECTION BLOCK DIAGRAM

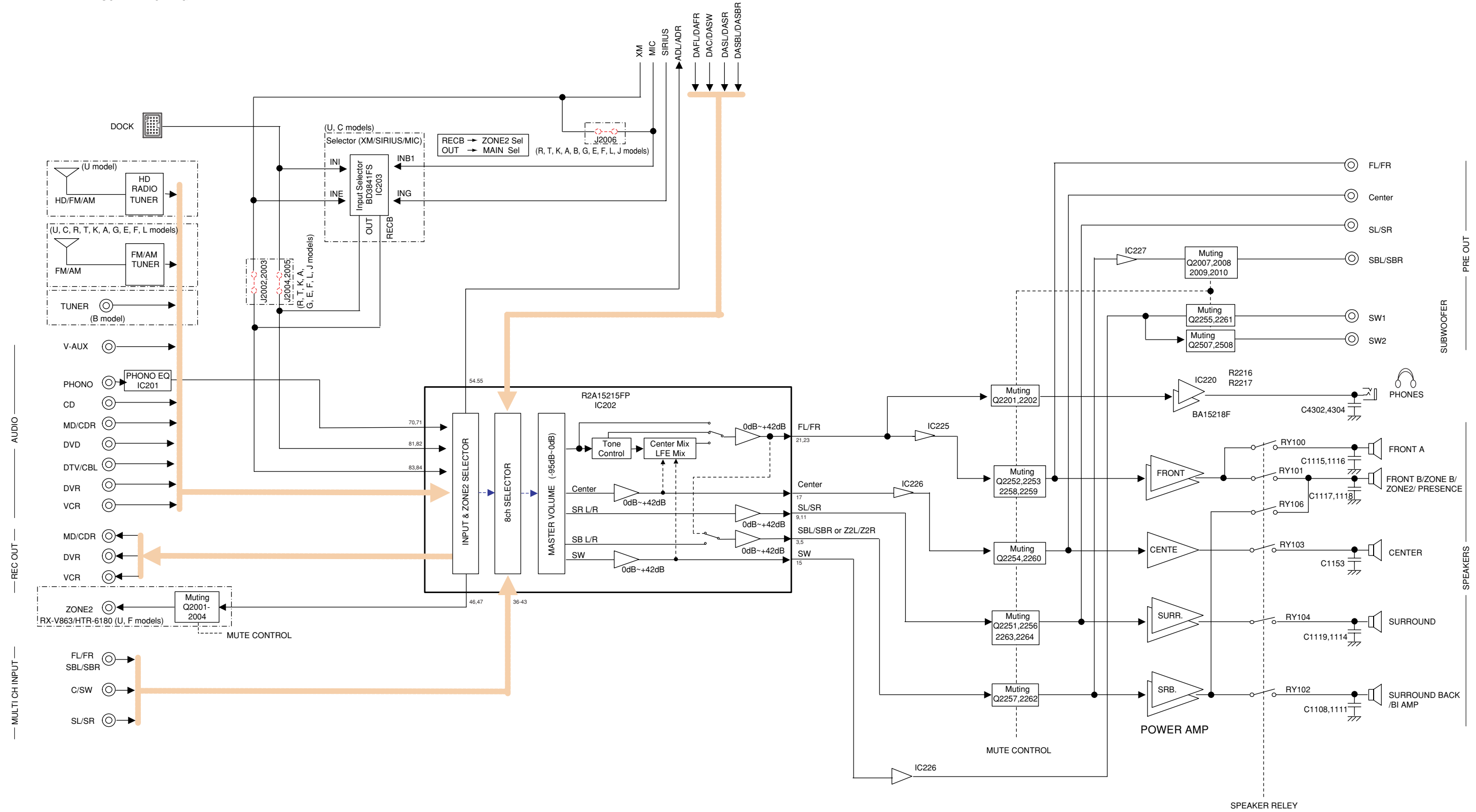
2 **DIGITAL** • See page 107-111 → SCHEMATIC DIAGRAM



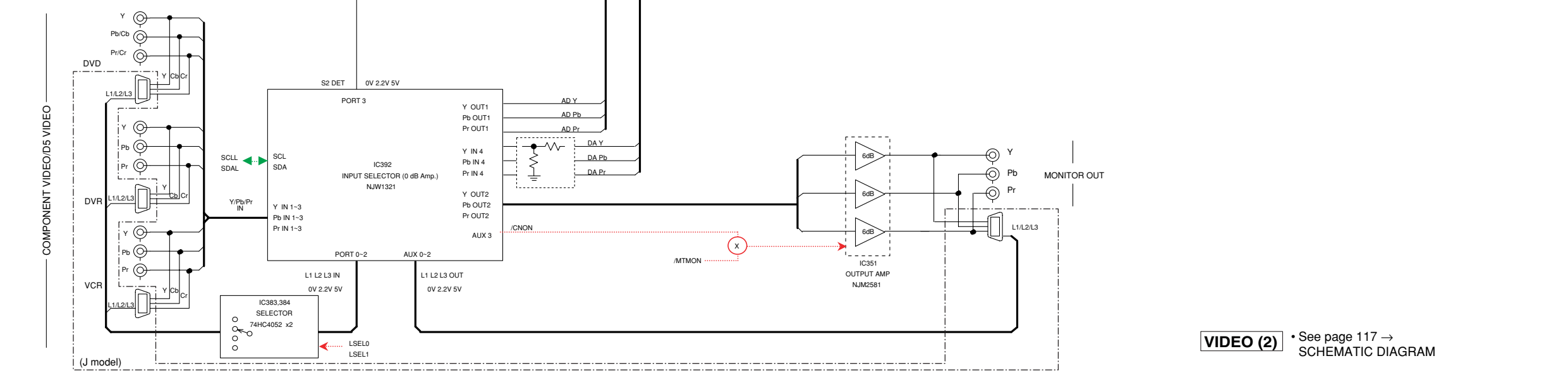
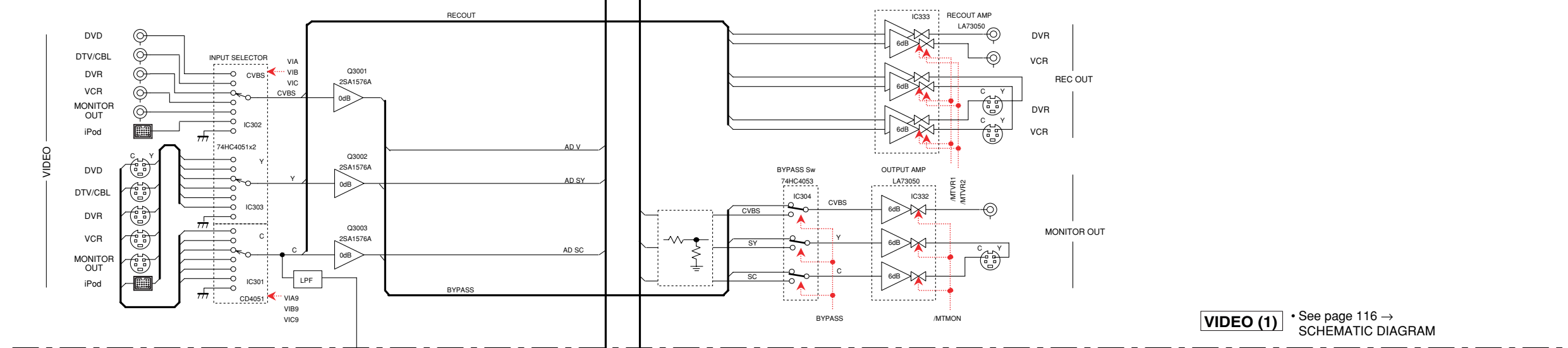
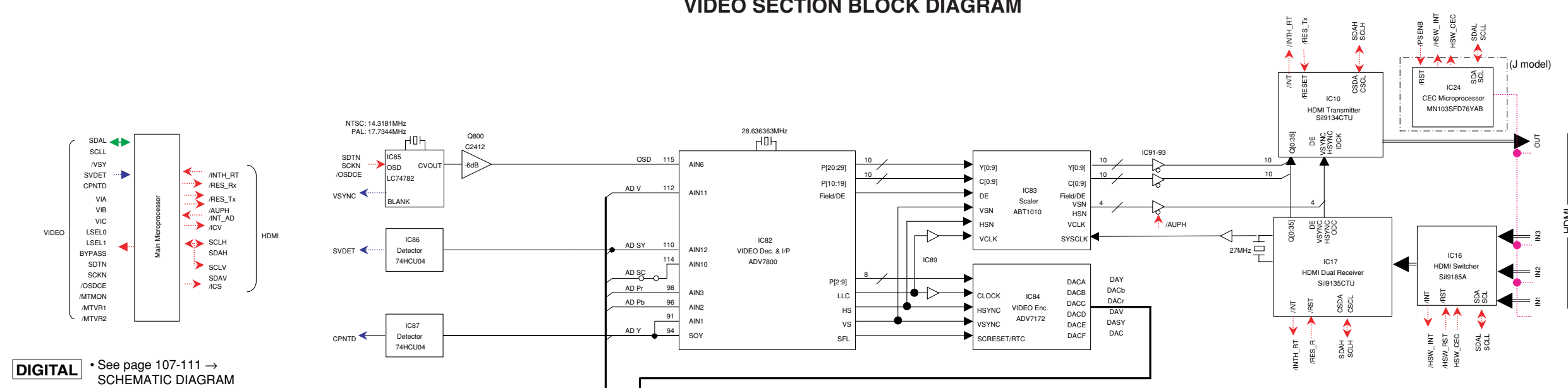
AUDIO (ANALOG) SECTION BLOCK DIAGRAM

FUNCTION • See page 112-113 → SCHEMATIC DIAGRAM

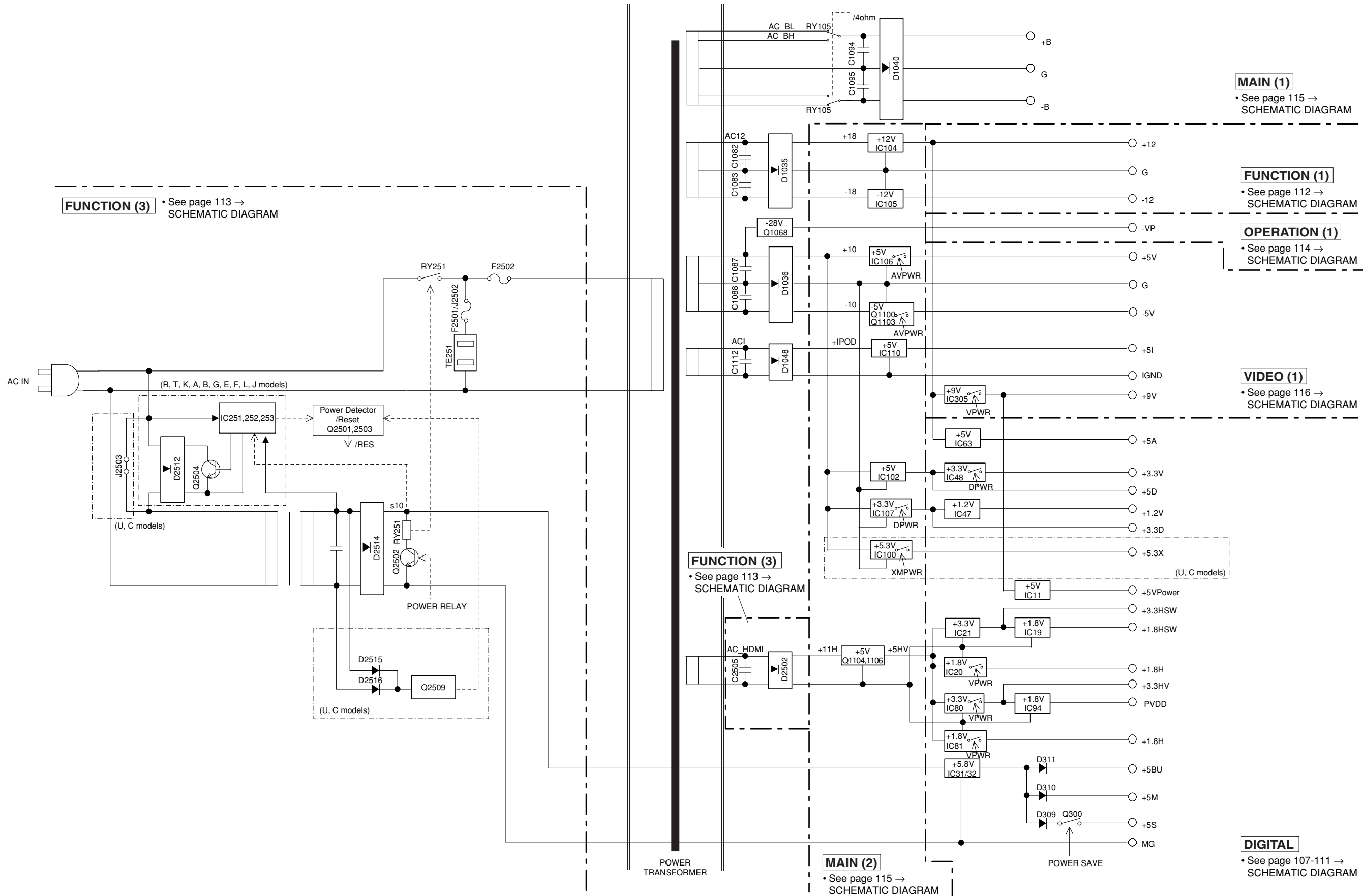
To AUDIO (DIGITAL) SECTION



VIDEO SECTION BLOCK DIAGRAM



POWER SUPPLY SECTION BLOCK DIAGRAM



FUNCTION (3) • See page 113 → SCHEMATIC DIAGRAM

MAIN (1)
• See page 115 → SCHEMATIC DIAGRAM

FUNCTION (1)
• See page 112 → SCHEMATIC DIAGRAM

OPERATION (1)
• See page 114 → SCHEMATIC DIAGRAM

VIDEO (1)
• See page 116 → SCHEMATIC DIAGRAM

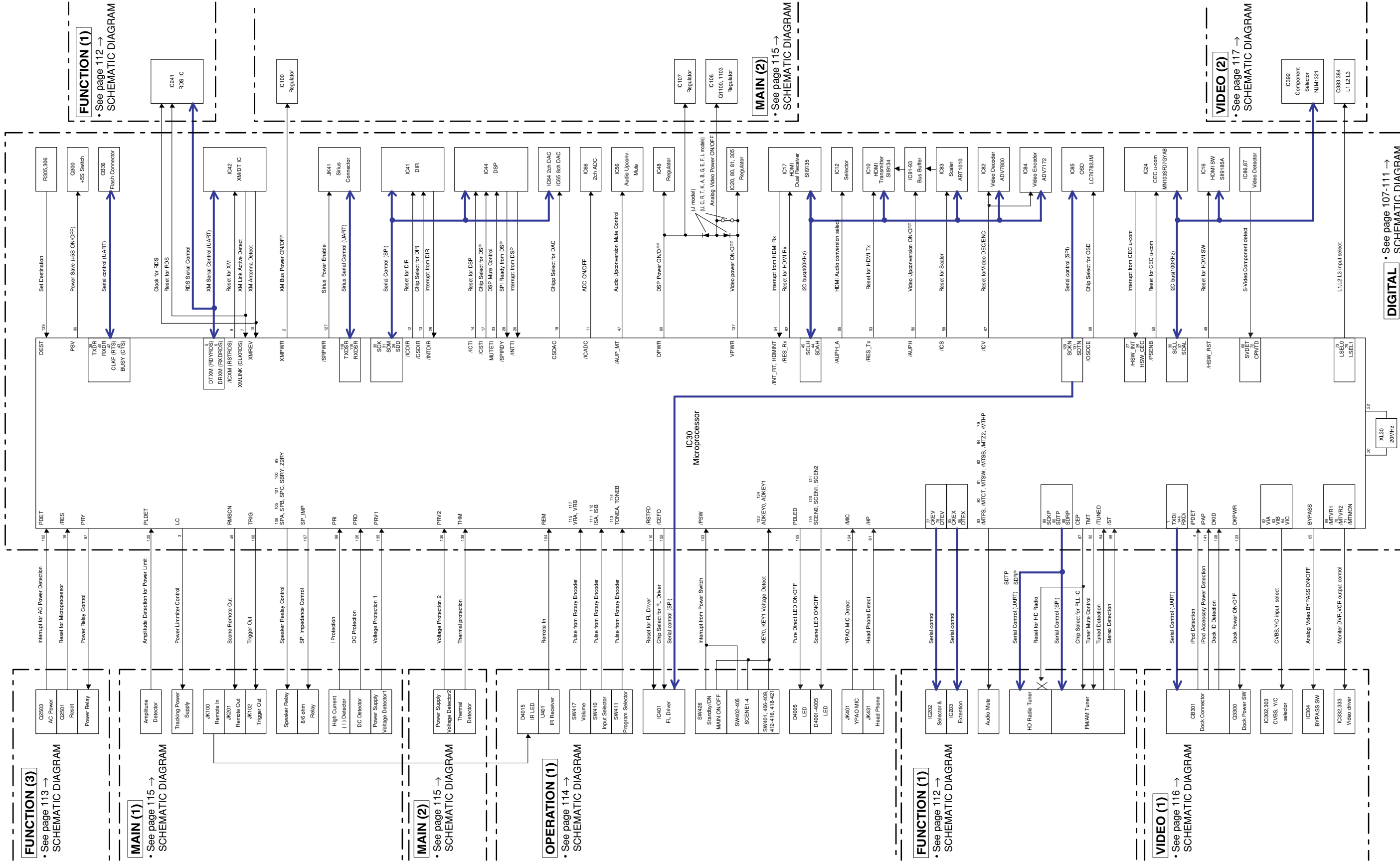
FUNCTION (3)
• See page 113 → SCHEMATIC DIAGRAM

MAIN (2)
• See page 115 → SCHEMATIC DIAGRAM

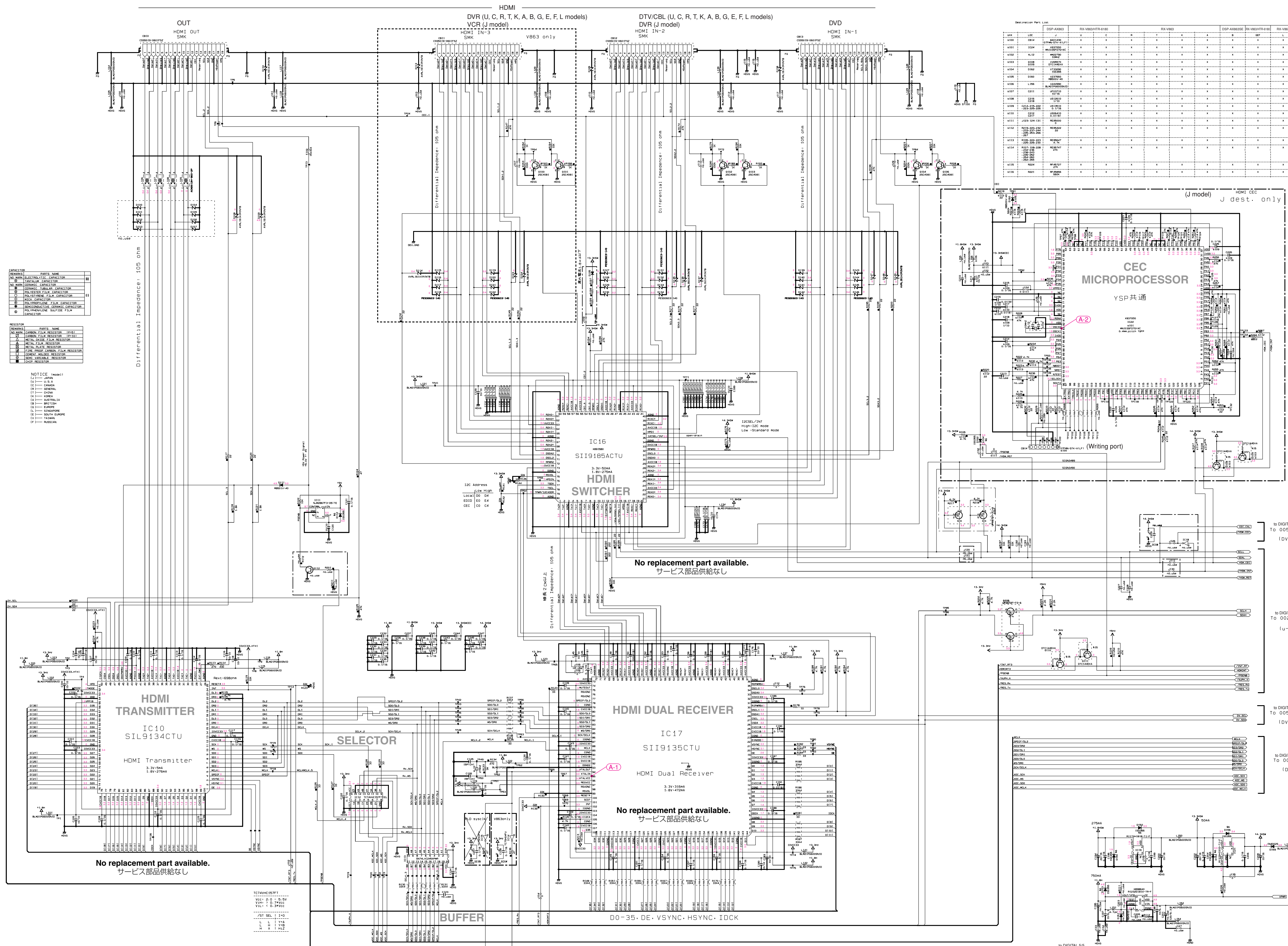
DIGITAL
• See page 107-111 → SCHEMATIC DIAGRAM

CONTROL SECTION BLOCK DIAGRAM

1
2
3
4
5
6
7



SCHEMATIC DIAGRAMS
DIGITAL 1/5

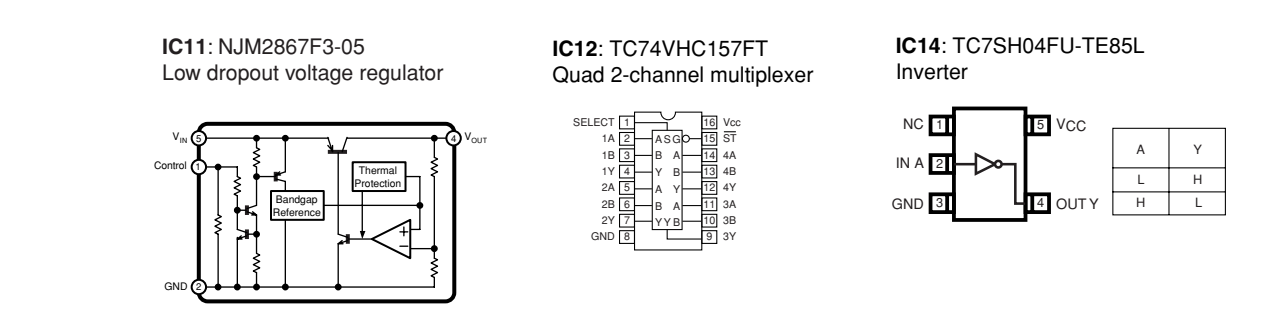
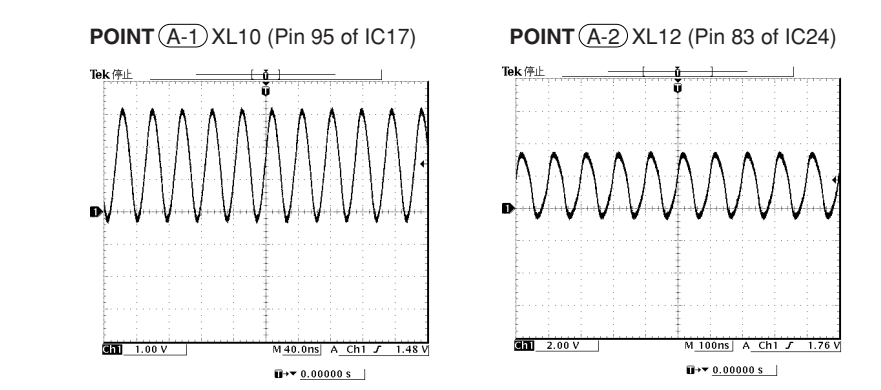


RESISTOR PARTS NAME

RES1	10K	RES101
RES2	100K	RES102
RES3	1K	RES103
RES4	100Ω	RES104
RES5	10K	RES105
RES6	100K	RES106
RES7	1K	RES107
RES8	100Ω	RES108
RES9	10K	RES109
RES10	100K	RES110
RES11	1K	RES111
RES12	100Ω	RES112
RES13	10K	RES113
RES14	100K	RES114
RES15	1K	RES115
RES16	100Ω	RES116
RES17	10K	RES117
RES18	100K	RES118
RES19	1K	RES119
RES20	100Ω	RES120

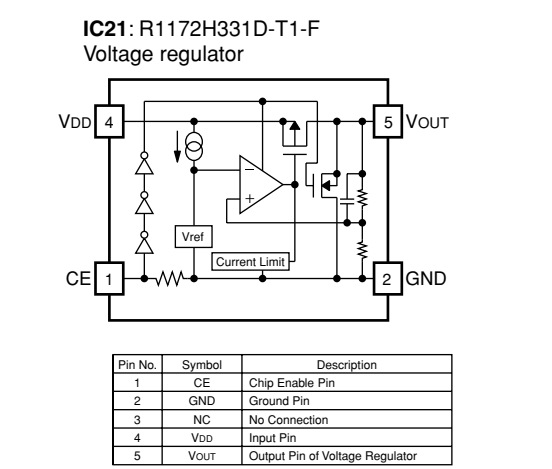
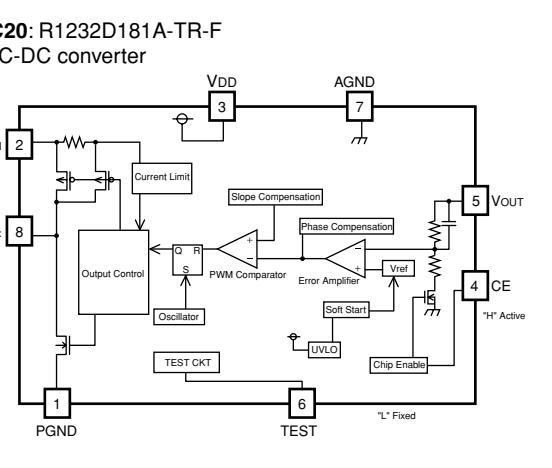
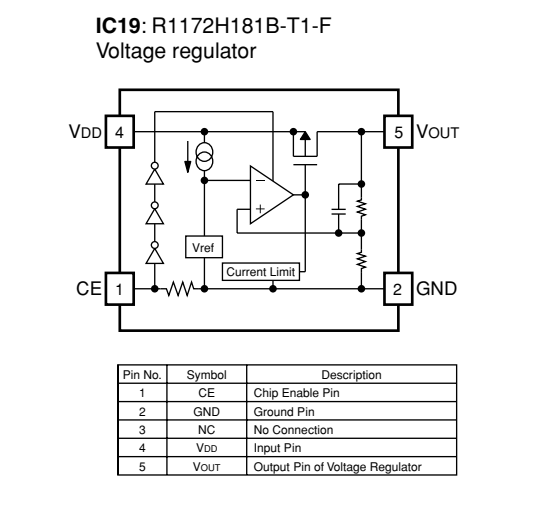
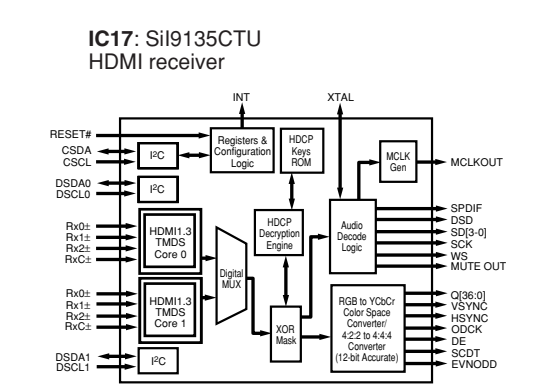
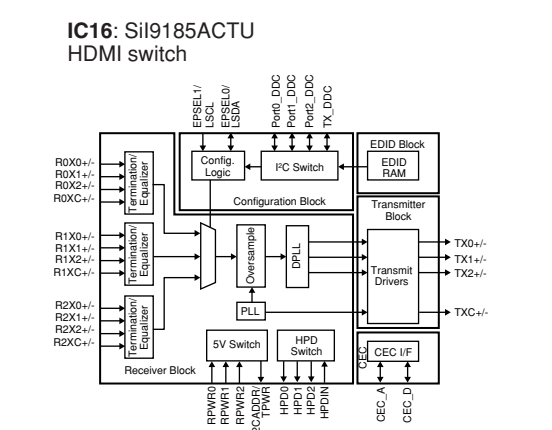
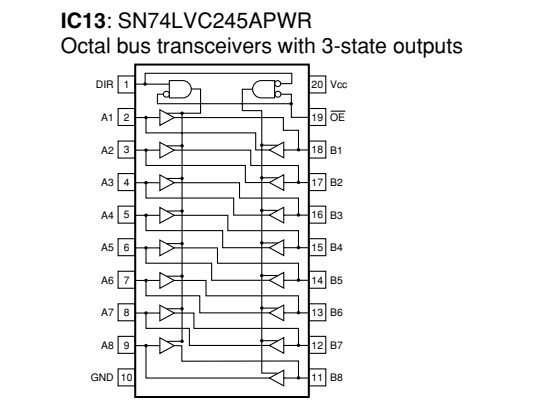
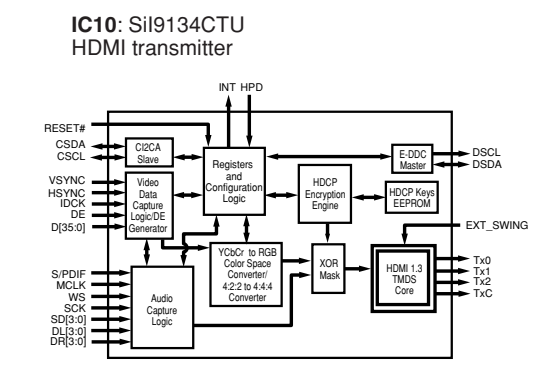
NOTICE (REV.1)

- (1) JAPAN
- (2) U.S.A.
- (3) CANADA
- (4) GENERAL
- (5) EUROPE
- (6) KOREA
- (7) HONGKONG
- (8) BRITISH
- (9) SINGAPORE
- (10) AUSTRALIA
- (11) RUSSIA



Pin List

Pin No.	Symbol	DSP-AX863	RX-V863/HTR-6180	RX-V863	DSP-AX863SE	RX-V863HTR-6180	RX-V863
1	RES1						
2	RES2						
3	RES3						
4	RES4						
5	RES5						
6	RES6						
7	RES7						
8	RES8						
9	RES9						
10	RES10						
11	RES11						
12	RES12						
13	RES13						
14	RES14						
15	RES15						
16	RES16						
17	RES17						
18	RES18						
19	RES19						
20	RES20						



★ All voltages are measured with a 10MΩ DC electronic voltmeter.
★ Components having special characteristics are marked with a star, and must be replaced with parts having specifications equal to those originally installed.
★ Schematic diagram is subject to change without notice.

● 電圧は、内部抵抗10MΩの電圧計で測定したものです。
● *印のある部品は、安全性確保部品を示しています。部品の交換が必要な場合、パーツリストに記載されている部品を使用してください。
● 本回路図は標準回路図です。改良のため予告なく変更することがございます。

DIGITAL 2/5

Page 114 [G9] to OPERATION (1)_CB401

Page 115 [H4] to MAIN (1)_W103

Page 115 [H4] to MAIN (1)_W104

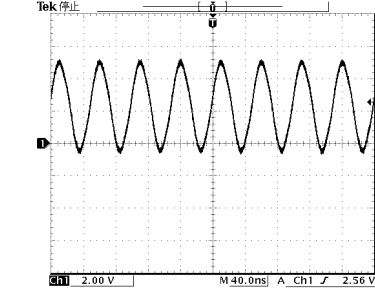
Page 113 [B7] to FUNCTION (3)_W2501

Page 115 [K10] to MAIN (2)_W113 (J model) to MAIN (2)

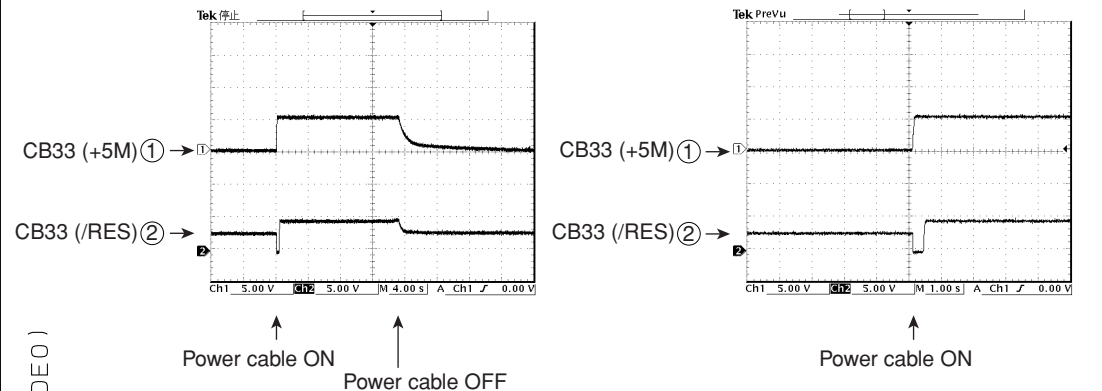
Page 112 [J5] to FUNCTION (1)_W2506 (U model) to FUNC (1)

Page 112 [B8] to FUNCTION (1)_CB206

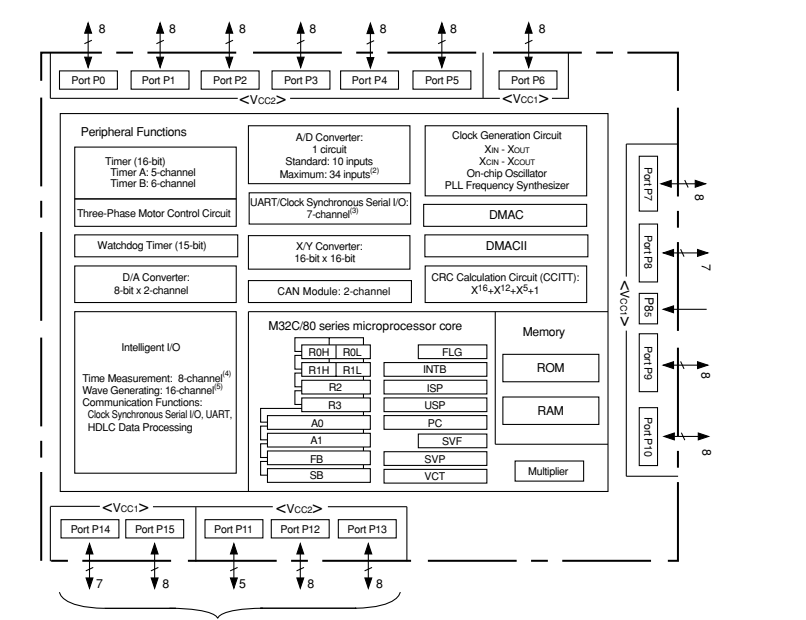
POINT (A-3) XL30 (Pin 20 of IC30)



POINT (C-2) (C-3) (1) CB33 (+5M), (2) CB33 (/RES)



IC30: M30878FJBGFP Single chip 16/32-bit microprocessor



Notes: 1. Pins P11 to P15 are provided in the 144-pin package only. 2. Pin P11 is the master clock input. The input maximum is the 100-pin package. 3. External enable in the 100-pin package. 4. External enable in the 144-pin package. 5. External enable in the 100-pin package.

IC32: R1154H058B-T1-F Voltage regulator

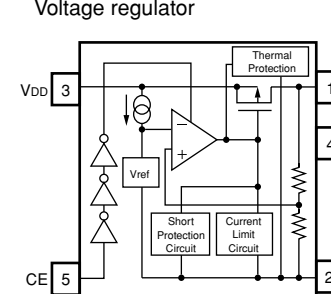
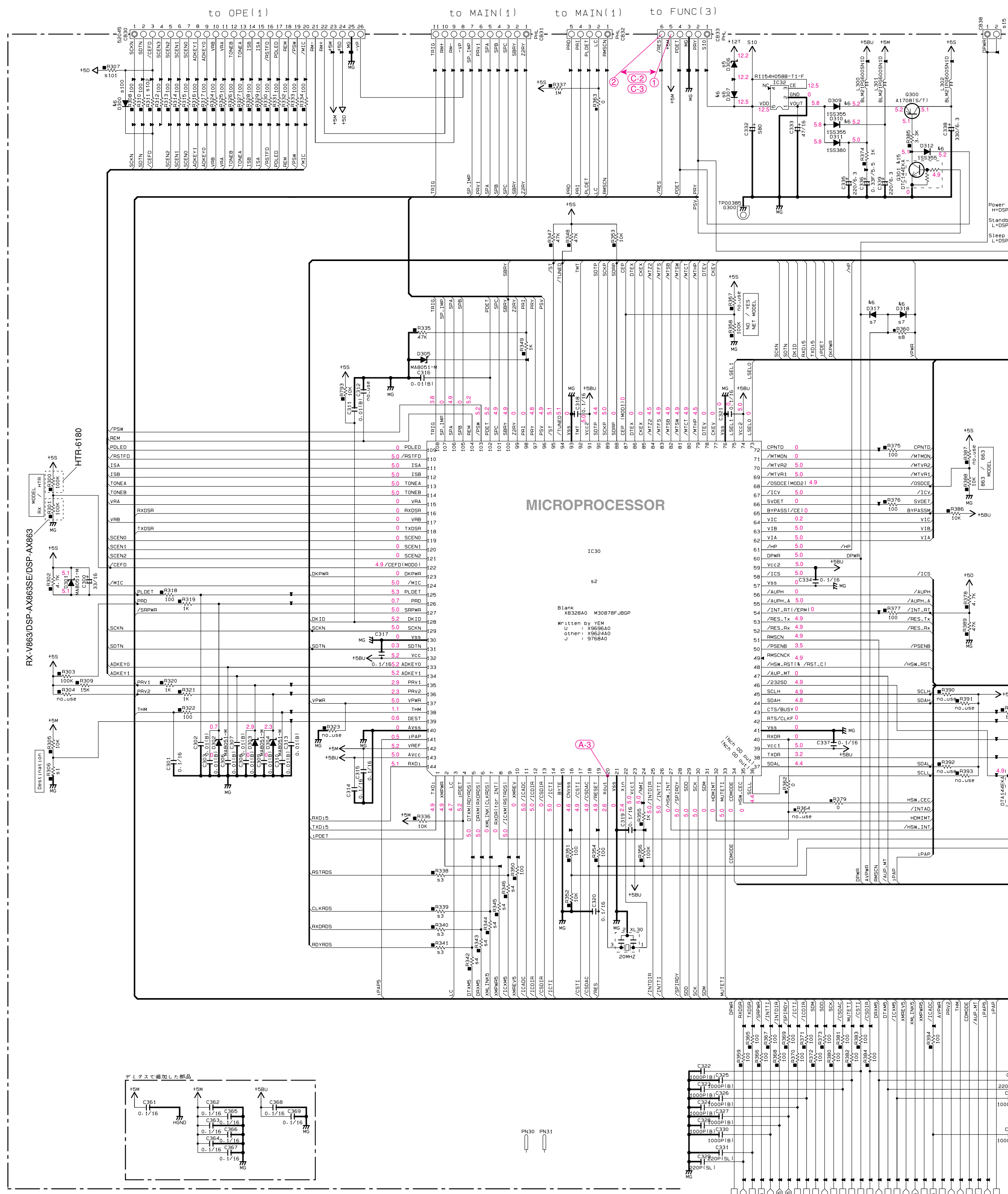


Table with 5 columns: Pin No., Symbol, Output Pin for Voltage Regulator, Description. Rows include GND, CE, NC, and Vcc.



All voltages are measured with a 10MΩ/V DC electronic voltmeter. Components having special characteristics are marked with an asterisk and must be replaced with parts having specifications equal to those originally installed. Schematic diagram is subject to change without notice.

- 電圧は、内部抵抗10MΩの電圧計で測定したものです。● *印のある部品は、安全性確保部品を示しています。部品の交換が必要な場合、パーツリストに記載されている部品を使用してください。● 本回路図は標準回路図です。改良のため予告なく変更することがございます。

NOTICE (model1) (J) JAPAN (U) U.S.A (C) CANADA (R) GENERAL (T) CHINA (K) KOREA (A) AUSTRALIA (B) BRITISH (G) EUROPE (L) SINGAPORE (E) SOUTH EUROPE (V) TAIWAN (F) RUSSIAN

Table with 2 columns: CAPACITOR, PARTS NAME. Lists various capacitor types like electrolytic, tantalum, ceramic, etc.

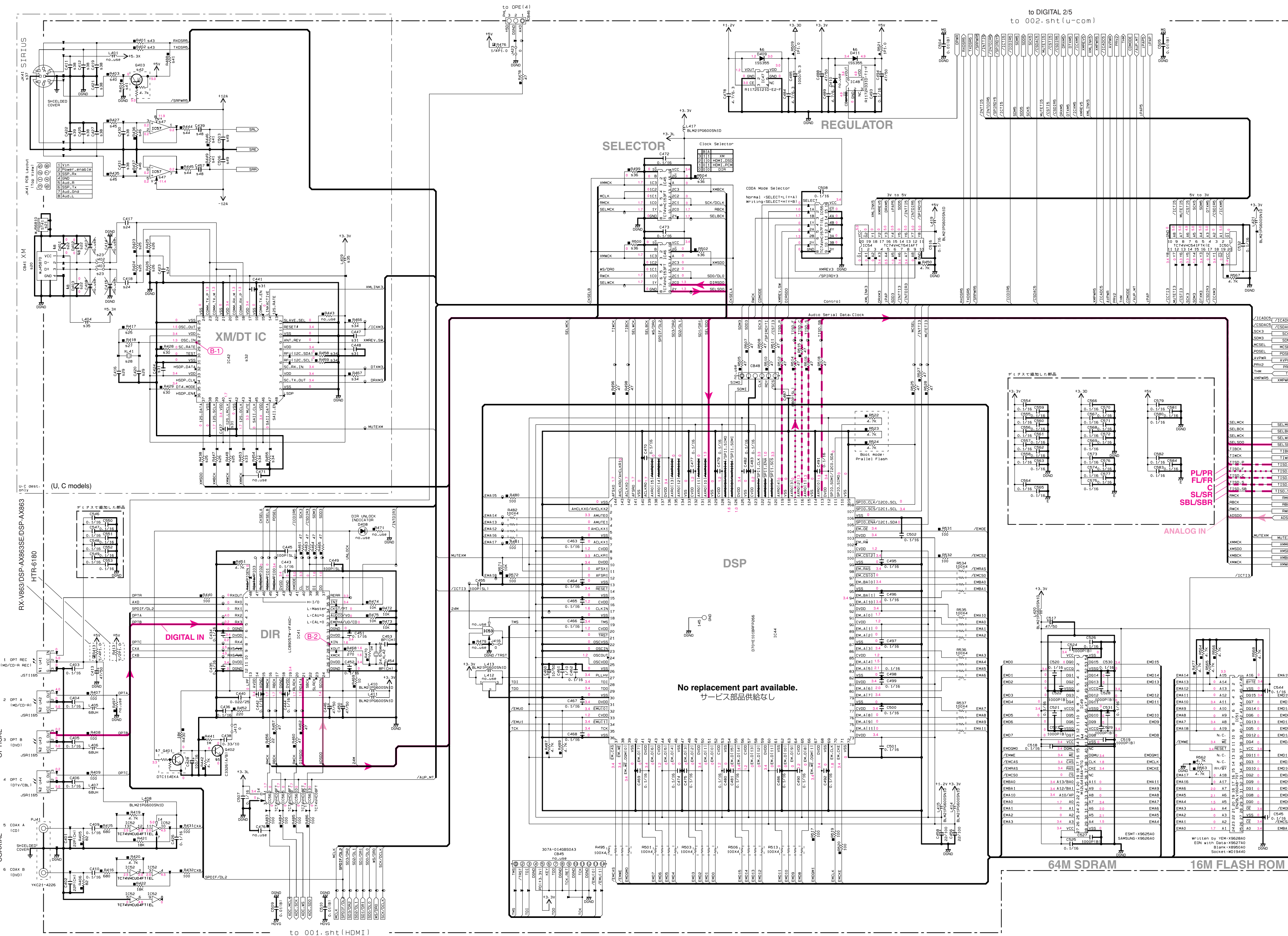
Table with 2 columns: RESISTOR, PARTS NAME. Lists various resistor types like carbon film, metal oxide film, etc.

* S1-19:002.sht(u-com) S20-80:004.sht(DSP) S81-99:005.sht(DVIDE0)

Destination Part List table with columns for part numbers and models (DSP-AX863, RX-V863, DSP-AX863SE, RX-V863, HTR-6180).

DIGITAL 3/5

Page 114 H2
to OPERATION (4)_W442

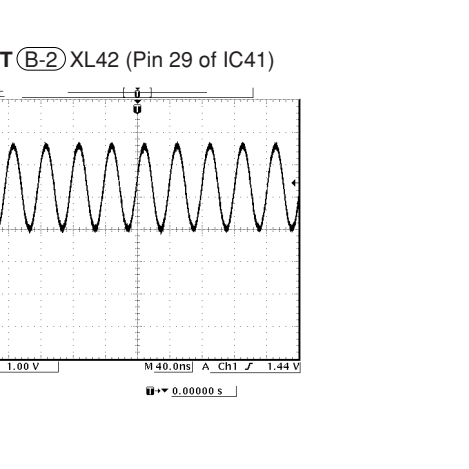
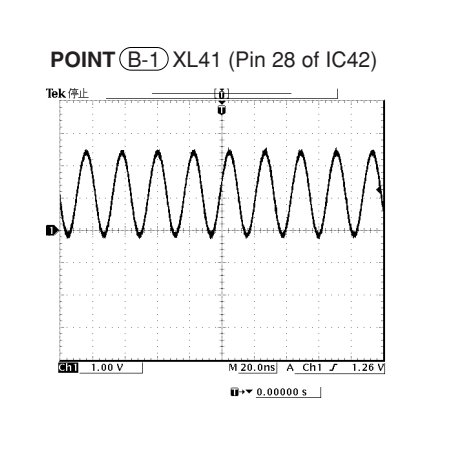
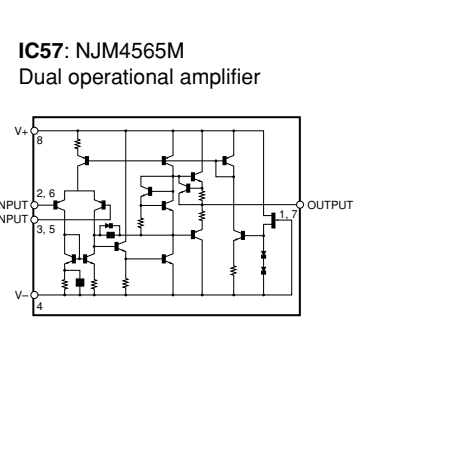
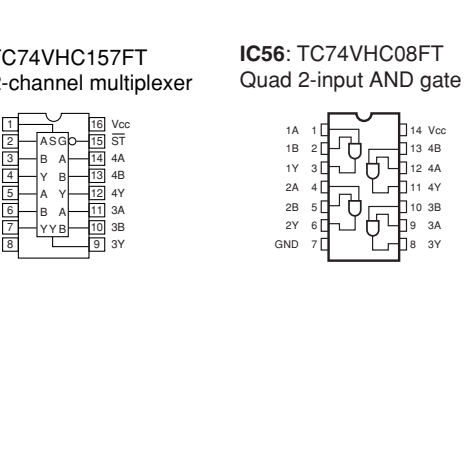
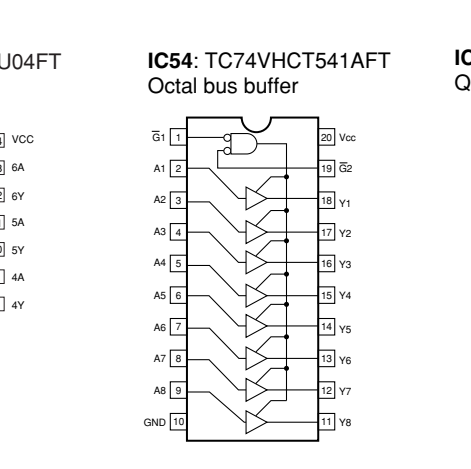
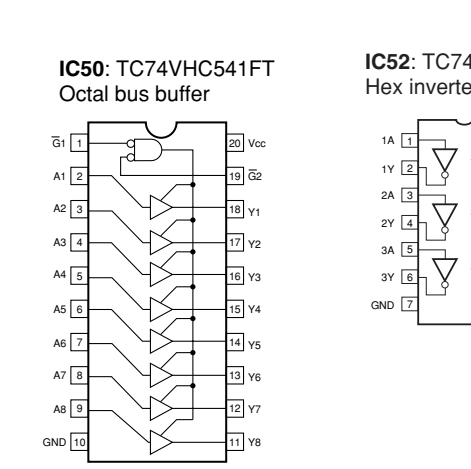
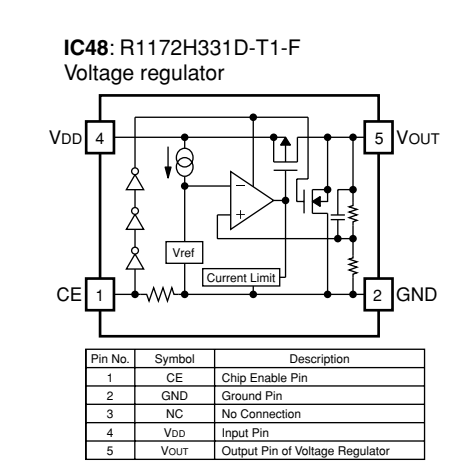
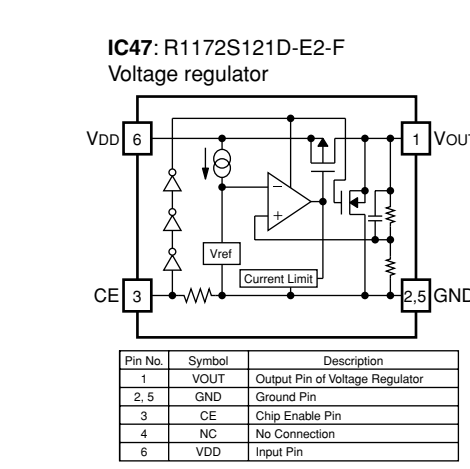
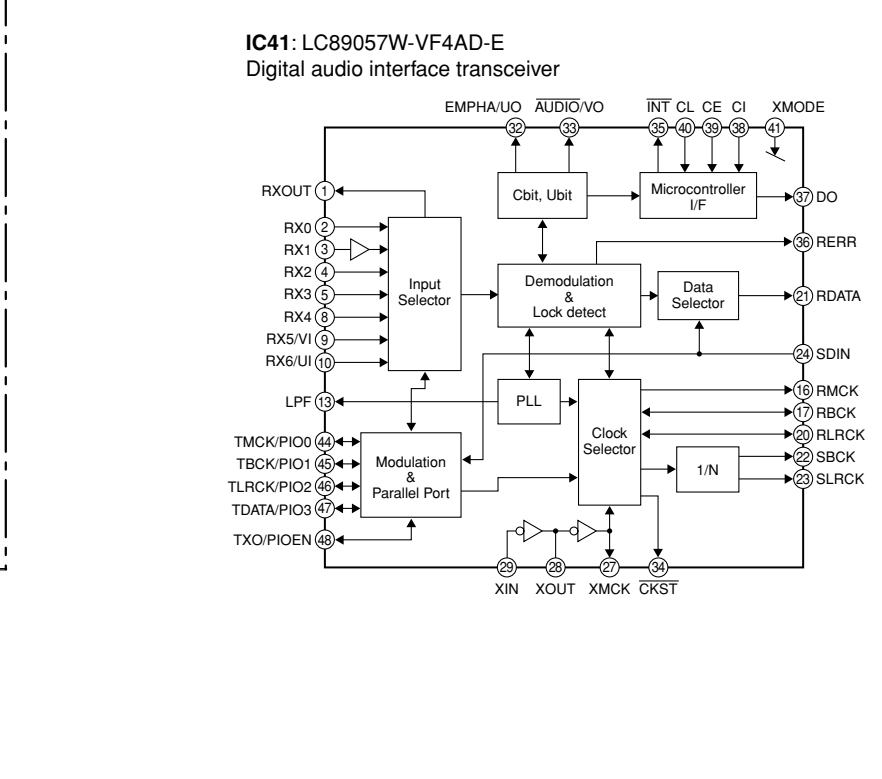


s1~19:002.sht(u-com)
s20~80:004.sht(DSP)
s81~99:005.sht(DVIDE0)

Destination Part List table with columns for Loc, QTY, Part No, and various model identifiers.

Capacitor and Resistor legends with symbols and descriptions for various types of components.

NOTICE (Model 11)
(J) JAPAN
(U) U.S.A.
(C) CANADA
(K) KOREA
(A) AUSTRALIA
(B) BRITISH
(E) EUROPE
(F) FINLAND
(S) SINGAPORE
(T) TAIWAN
(R) RUSSIAN



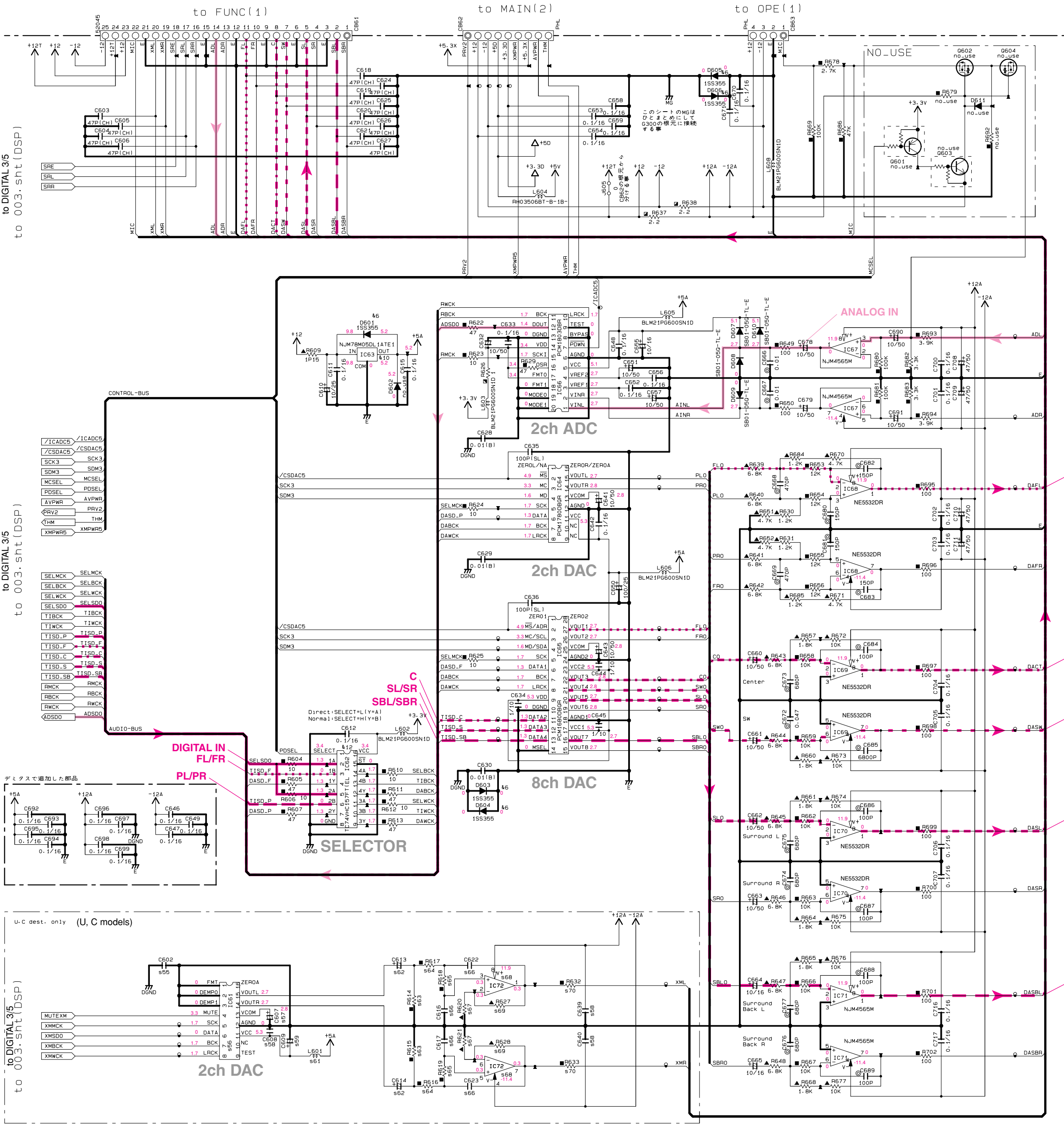
* All voltages are measured with a 10MΩ/V DC electronic voltmeter.
* Components having special characteristics are marked 1, and must be replaced with parts having specifications equal to those originally installed.
* Schematic diagram is subject to change without notice.
● 電圧は、内部抵抗10MΩの電圧計で測定したものです。
● 1印のある部品は、安全性確保部品を示しています。部品の交換が必要な場合、パーツリストに記載されている部品を使用してください。
● 本回路図は標準回路図です。改良のため予告なく変更することがございます。

DIGITAL 4/5

Page 112 [A6]
to FUNCTION (1)_CB205

Page 115 [K9]
to MAIN (2)_W107

Page 114 [I9]
to OPERATION (1)_W401



Interchangeable Parts at Manufacture-Stage

Mark	Reference Parts Number	Parts Name
U1	U1169	GP1FAV51K0F
U2	U42-44	JR1165 GP1FAV5K0F
IC49	M1L6464A-STG	K45641632K-UC60000
GA02	2SC3321A(B)	2SC3321A(B)
D112	150-152-154-156	155355
GA01	DT1146KA	KRC1025-RTX/P
GA01-403	NVRL1613R1N7B	SDV1608H100C05VP1
IC63	NJM78M05DL1E1	K1478M05P
IC304	DT1146KA	KRC1025-RTX/P

s1-19:002.sht(u-com)
s20-80:004.sht(DSP)
sB1-99:005.sht(DVIDEO)

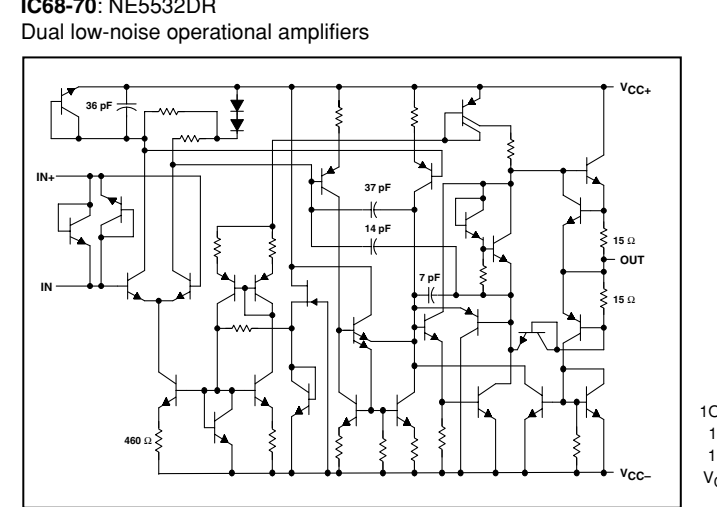
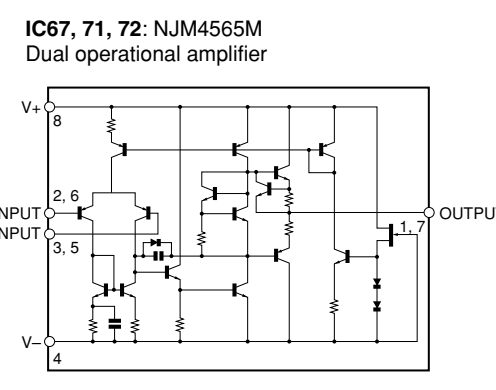
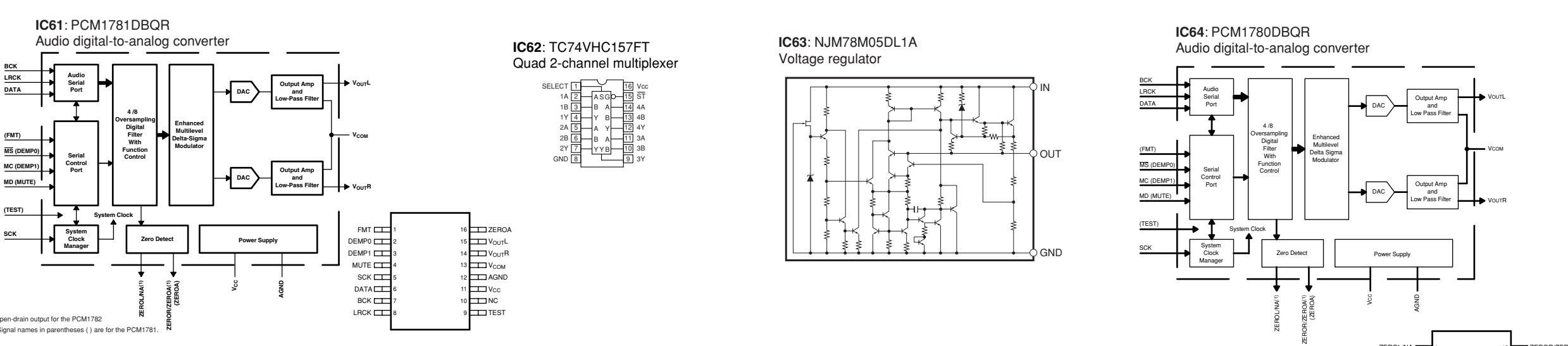
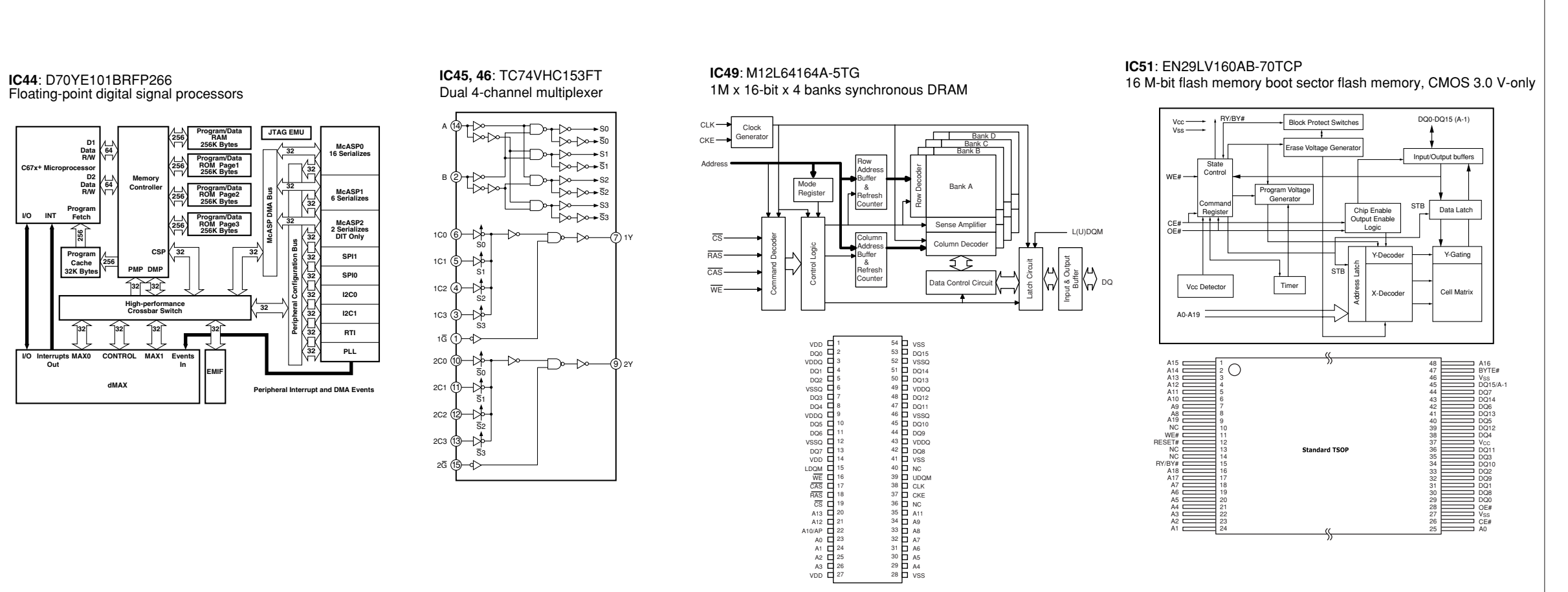
Destination Part List	DSP-AX863	RX-V863HTR-6180	RX-V863	RX-V863	DSP-AX863SE	RX-V863HTR-6180	RX-V863	HTR-6180
U1	X	X	X	X	X	X	X	X
U2	X	X	X	X	X	X	X	X
IC49	X	X	X	X	X	X	X	X
GA02	X	X	X	X	X	X	X	X
D112	X	X	X	X	X	X	X	X
GA01	X	X	X	X	X	X	X	X
GA01-403	X	X	X	X	X	X	X	X
IC63	X	X	X	X	X	X	X	X
IC304	X	X	X	X	X	X	X	X

REMARKS	PARTS NAME
NO MARK	ELECTROLYTIC CAPACITOR
⊗	TANTALUM CAPACITOR
NO MARK	CERAMIC CAPACITOR
⊙	CERAMIC TUBULAR CAPACITOR
⊖	POLYESTER FILM CAPACITOR
⊕	POLYPROPYLENE FILM CAPACITOR
Ⓜ	MICA CAPACITOR
Ⓜ	POLYPROPYLENE FILM CAPACITOR
Ⓜ	SEMICONDUCTIVE CERAMIC CAPACITOR
Ⓜ	POLYPROPYLENE SULFIDE FILM CAPACITOR

REMARKS	PARTS NAME
NO MARK	CARBON FILM RESISTOR (P=5)
⊗	METAL OXIDE FILM RESISTOR
⊖	METAL FILM RESISTOR
⊕	FIRE PROOF CARBON FILM RESISTOR
Ⓜ	CEMENT MOLDED RESISTOR
Ⓜ	SEMI-VARIABLE RESISTOR
Ⓜ	CHIP RESISTOR

NOTICE (mode1)
(J)..... JAPAN
(U)..... U.S.A.
(C)..... CANADA
(R)..... GENERAL
(T)..... CHINA
(K)..... KOREA
(A)..... AUSTRALIA
(B)..... BRITISH
(G)..... EUROPE
(L)..... SINGAPORE
(E)..... SOUTH EUROPE
(V)..... TAIWAN
(F)..... RUSSIAN

IC BLOCK DIAGRAMS DIGITAL 3/5



★ All voltages are measured with a 10MΩ V DC electronic voltmeter.
★ Components having special characteristics are marked with a star and must be replaced with parts having specifications equal to those originally installed.
★ Schematic diagram is subject to change without notice.

● 電圧は、内部抵抗10MΩの電圧計で測定したものです。
● *印のある部品は、安全性確保部品を示しています。部品の交換が必要な場合、パーツリストに記載されている部品を使用してください。
● 本回路図は標準回路図です。改良のため予告なく変更することがございます。

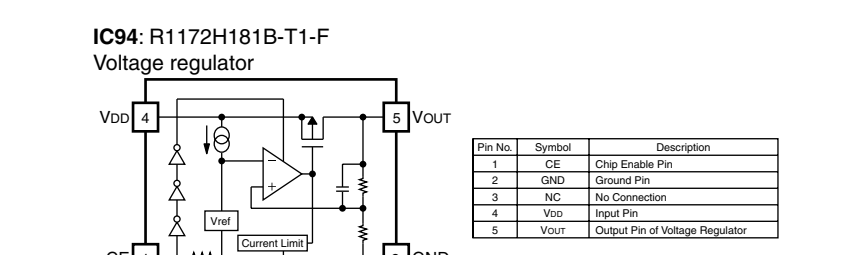
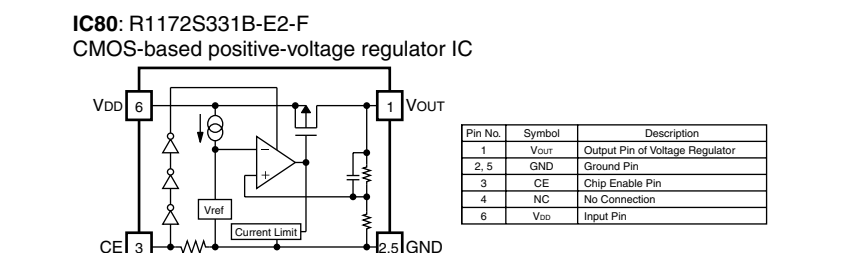
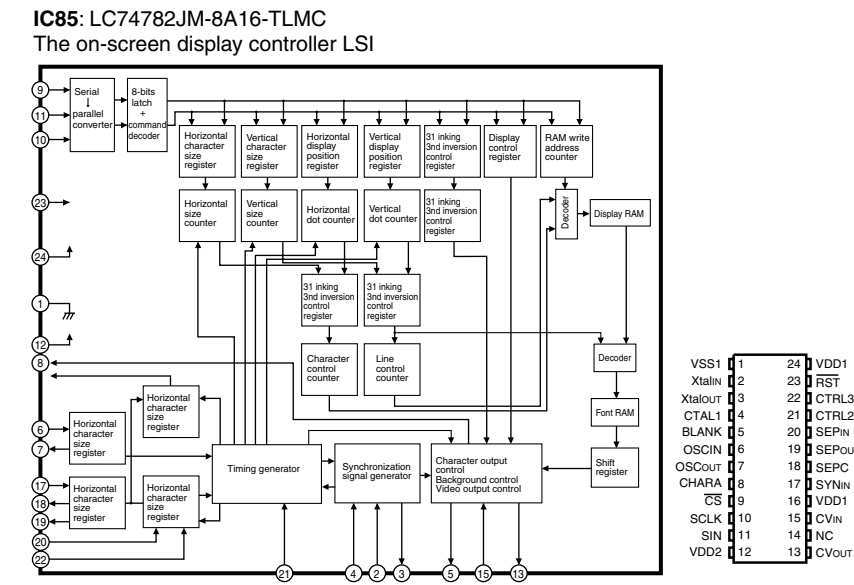
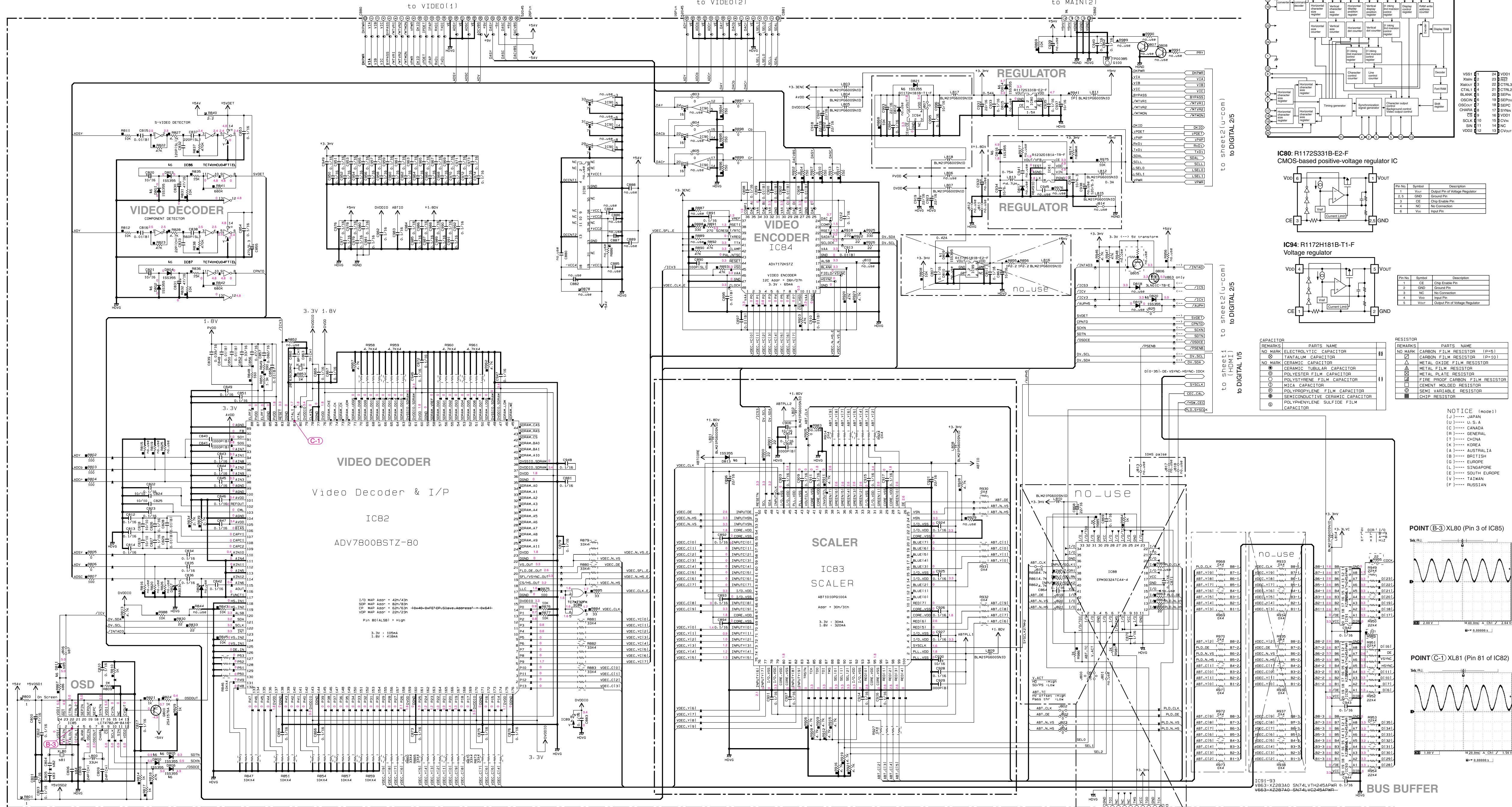
1OUT 1 6 VCC
1IN 2 7 2OUT
1IN 3 6 2IN
VCC 4 5 2IN

DIGITAL 5/5

Page 116 K6 to VIDEO (1)_CB305

Page 117 I9 to VIDEO (2)_W109

Page 115 K8 to MAIN (2)_W109

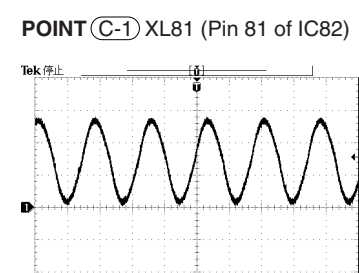
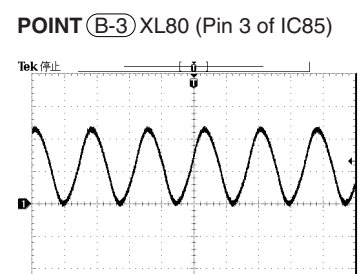


RESISTOR PARTS NAME

REMARKS	PARTS NAME	REMARKS	PARTS NAME
NO MARK	ELECTROLYTIC CAPACITOR	NO MARK	CARBON FILM RESISTOR (P=5)
NO MARK	TANTALUM CAPACITOR	NO MARK	CARBON FILM RESISTOR (P=10)
NO MARK	CERAMIC CAPACITOR	NO MARK	METAL OXIDE FILM RESISTOR
NO MARK	CERAMIC TUBULAR CAPACITOR	NO MARK	METAL FILM RESISTOR
NO MARK	POLYESTER FILM CAPACITOR	NO MARK	POLYIMIDE CARBON FILM RESISTOR
NO MARK	POLYPROPYLENE FILM CAPACITOR	NO MARK	SEMICONDUCTIVE CERAMIC CAPACITOR
NO MARK	MICA CAPACITOR	NO MARK	CEMENT MOLDED RESISTOR
NO MARK	POLYPROPYLENE FILM CAPACITOR	NO MARK	SEMI VARIABLE RESISTOR
NO MARK	POLYPHENYLENE SULFIDE FILM CAPACITOR	NO MARK	CHIP RESISTOR

NOTICE (mode1)

(J) JAPAN
 (U) U.S.A.
 (C) CANADA
 (R) GENERAL
 (I) CHINA
 (K) KOREA
 (A) AUSTRALIA
 (B) BRITISH
 (G) EUROPE
 (L) SINGAPORE
 (E) SOUTH EUROPE
 (V) TAIWAN
 (F) RUSSIAN

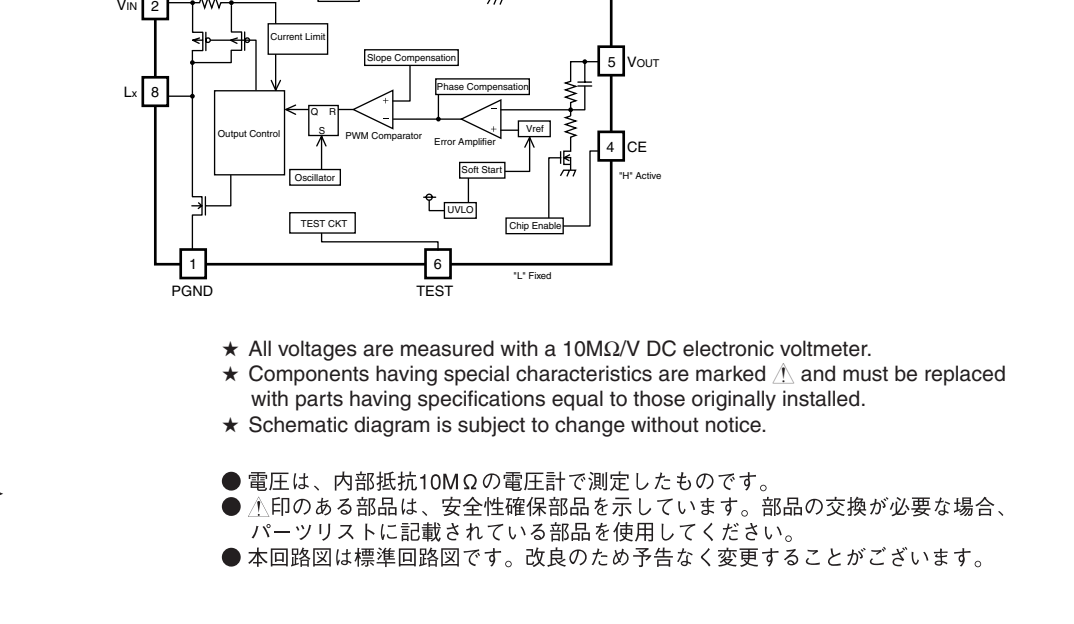
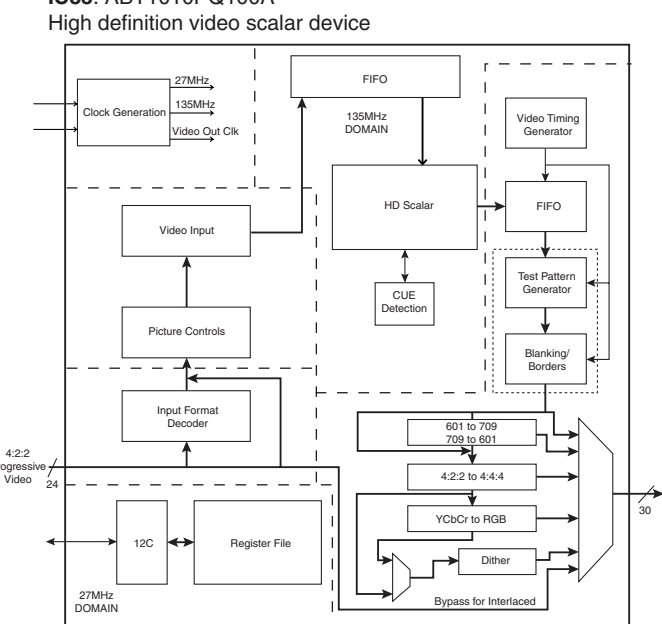
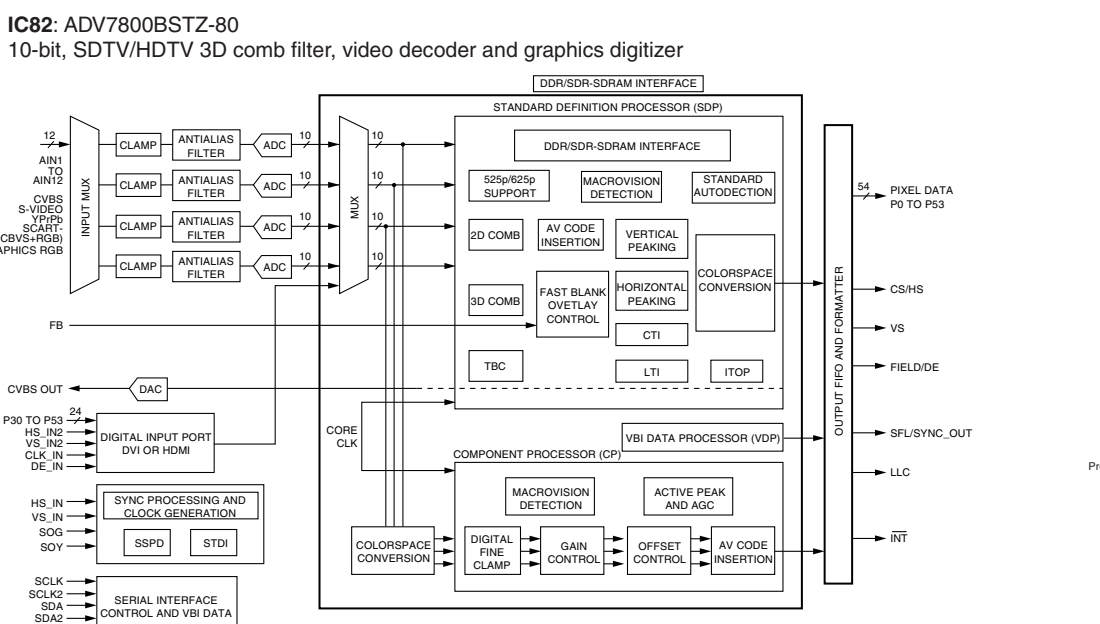
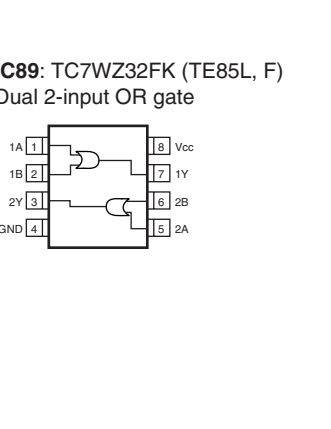
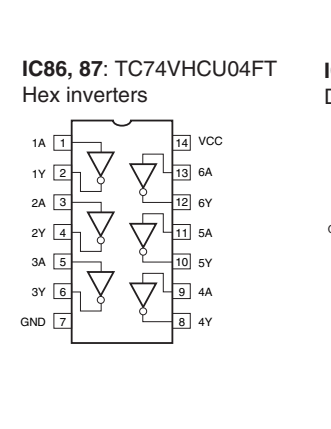
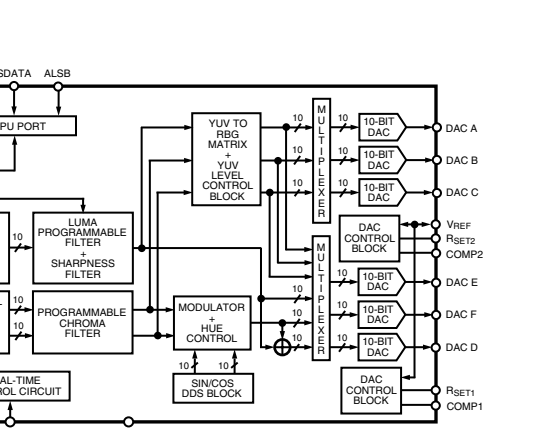
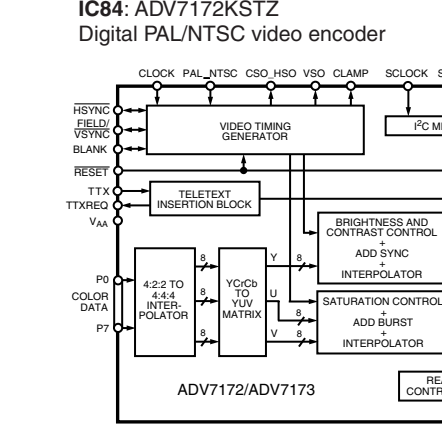


s1-19:002.sht(u-com)
 s20-80:004.sht(DSP)
 *s81-99:005.sht(DVIDEO)

LOC	DISP AX863E	RX-V863HTR-6180	RX-V863	DSP AX863SE	RX-V863HTR-6180	RX-V863
481	ALB0	4808080	4808080	4808080	4808080	4808080
482	CB84	US6800	US6800	US6800	US6800	US6800
483	CB85	US6810	US6810	US6810	US6810	US6810
484	CB86	US6820	US6820	US6820	US6820	US6820
485	CB87	V13320	V13320	V13320	V13320	V13320
486	W05	628500	628500	628500	628500	628500

DVIDEO
 CB1C/XL180-99
 OTHER +800-999

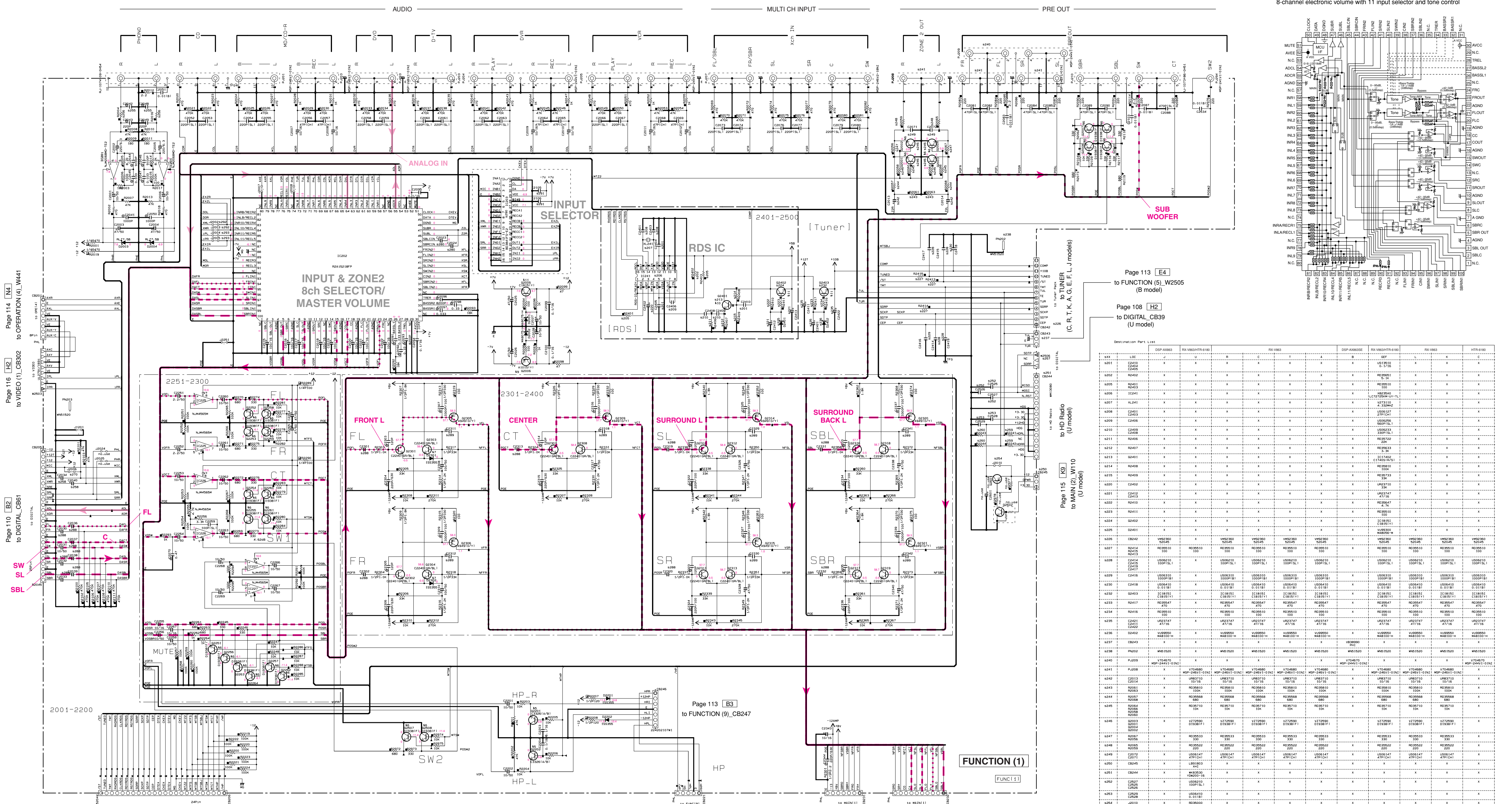
DIGITAL (5)



* All voltages are measured with a 10MΩ/V DC electronic voltmeter.
 * Components having special characteristics are marked *1, and must be replaced with parts having specifications equal to those originally installed.
 * Schematic diagram is subject to change without notice.

●電圧は、内部抵抗10MΩの電圧計で測定したものです。
 ●*印のある部品は、安全性確保部品を示しています。部品の交換が必要な場合、パーツリストに記載されている部品を使用してください。
 ●本回路図は標準回路図です。改良のため予告なく変更することがございます。

FUNCTION 1/2



IC202: R2A15218FP
8-channel electronic volume with 11 input selector and tone control

Page 114 [H2] to OPERATION (4)_W441
Page 116 [H2] to VIDEO (1)_CB392
Page 110 [B2] to DIGITAL_CB61

Page 113 [E4] to FUNCTION (5)_W2505 (B model)
Page 108 [H2] to DIGITAL_CB39 (U model)

Page 115 [K9] to HD Radio (U model)
Page 115 [K9] to MAIN (2)_W110 (U model)

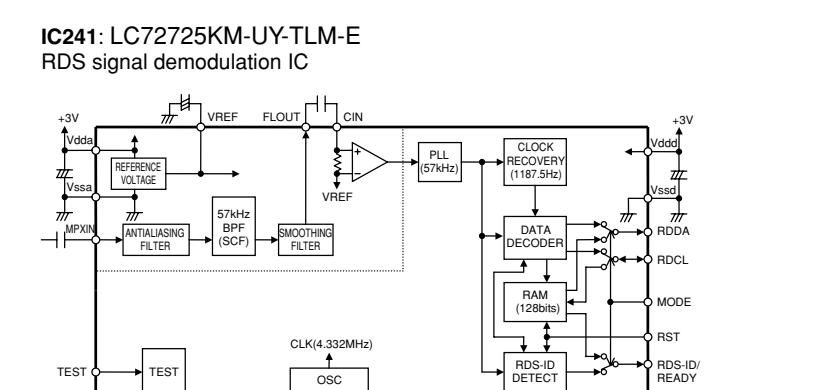
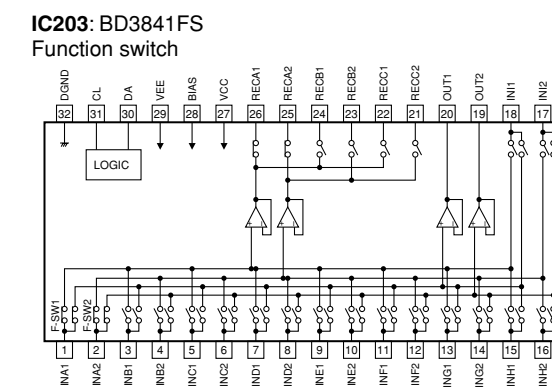
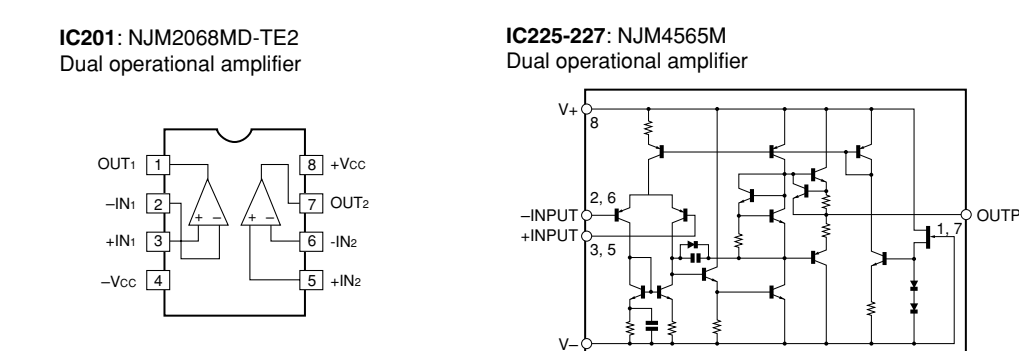
Page 113 [B3] to FUNCTION (9)_CB247

Page 114 [J9] to OPERATION (1)_W402

Page 115 [B10] to MAIN (1)_W106

Page 115 [B4] to MAIN (1)_W105

Page 108 [I2] to DIGITAL_CB34



Interchangeable Parts at Manufacture Stage

Part No.	Reference Parts Number	Part Name
11	02054	RES3481-E
12		
13	02010-2514	08105 S1860
14		
15	03011-2002	2SC3281A/91 2SC3281B 2SC3281C 2SC3281D 2SC3281E 2SC3281F 2SC3281G 2SC3281H 2SC3281I 2SC3281J 2SC3281K 2SC3281L 2SC3281M 2SC3281N 2SC3281O 2SC3281P 2SC3281Q 2SC3281R 2SC3281S 2SC3281T 2SC3281U 2SC3281V 2SC3281W 2SC3281X 2SC3281Y 2SC3281Z
16	04001-2004-2007-2010 2051-2064-1907-2008	2SC3281A/91 2SC3281B 2SC3281C 2SC3281D 2SC3281E 2SC3281F 2SC3281G 2SC3281H 2SC3281I 2SC3281J 2SC3281K 2SC3281L 2SC3281M 2SC3281N 2SC3281O 2SC3281P 2SC3281Q 2SC3281R 2SC3281S 2SC3281T 2SC3281U 2SC3281V 2SC3281W 2SC3281X 2SC3281Y 2SC3281Z
17	02011-2302-2001-2003 2004-2008-2008-2009	15S305 M2J1150L M2J1150S M2J1150T M2J1150V M2J1150W M2J1150X M2J1150Y M2J1150Z
18	02011-2500-2510	07C1400A M2J1045-07C-1P
19	02006	054015V1-1 KT4126B V1-1
20	02041	2SC7423A/51 2SC7423B/51 2SC7423C/51 2SC7423D/51 2SC7423E/51 2SC7423F/51 2SC7423G/51 2SC7423H/51 2SC7423I/51 2SC7423J/51 2SC7423K/51 2SC7423L/51 2SC7423M/51 2SC7423N/51 2SC7423O/51 2SC7423P/51 2SC7423Q/51 2SC7423R/51 2SC7423S/51 2SC7423T/51 2SC7423U/51 2SC7423V/51 2SC7423W/51 2SC7423X/51 2SC7423Y/51 2SC7423Z
21	02001-2004-2402-2002 2003	07C1400A M2J1045-07C-1P
22	02011-253	07C1400A M2J1045-07C-1P

★ All voltages are measured with a 10MΩ/V DC electronic voltmeter.
● 電圧は、内部抵抗10MΩの電圧計で測定したものです。
★ Components having special characteristics are marked with a star and must be replaced with parts having specifications equal to those originally installed.
● 印のある部品は、安全性確保部品を示しています。部品の交換が必要な場合、パーツリストに記載されている部品を使用してください。
★ Schematic diagram is subject to change without notice.
● 本回路図は標準回路図です。改良のため予告なく変更することがございます。

FUNCTION 2/2

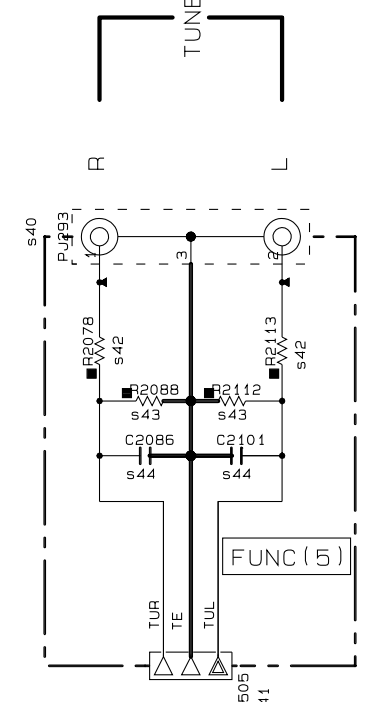
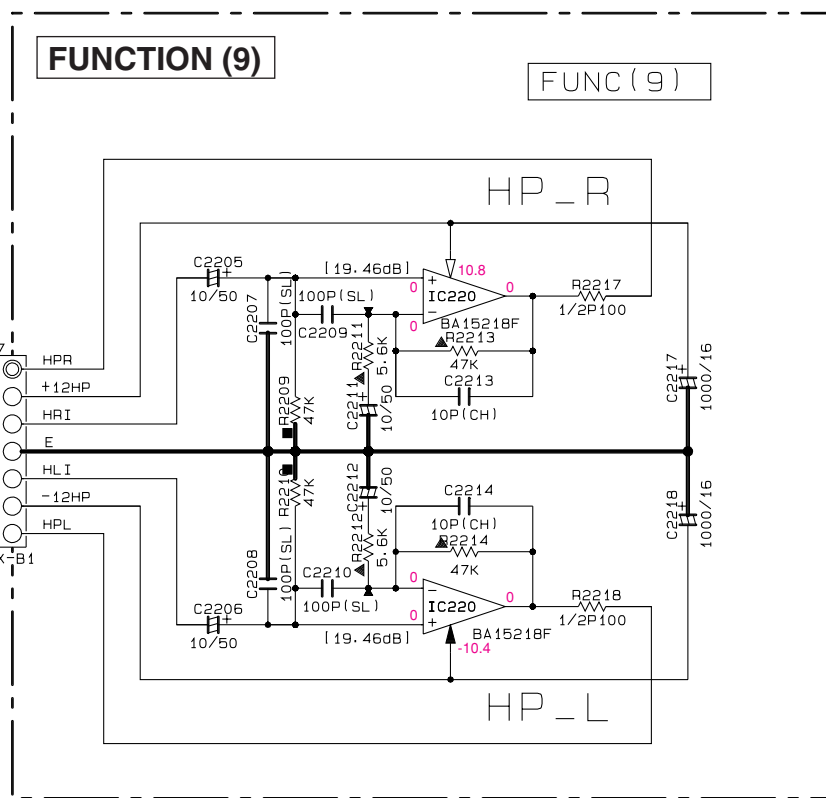
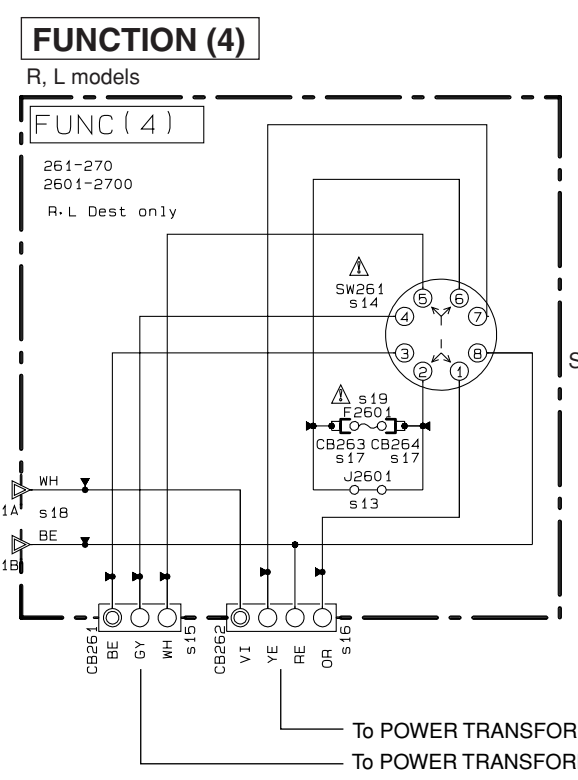
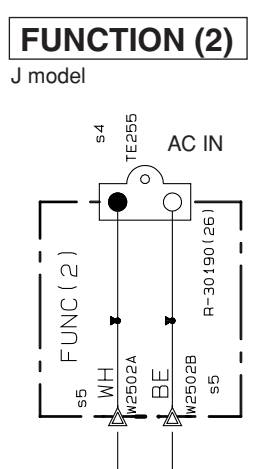
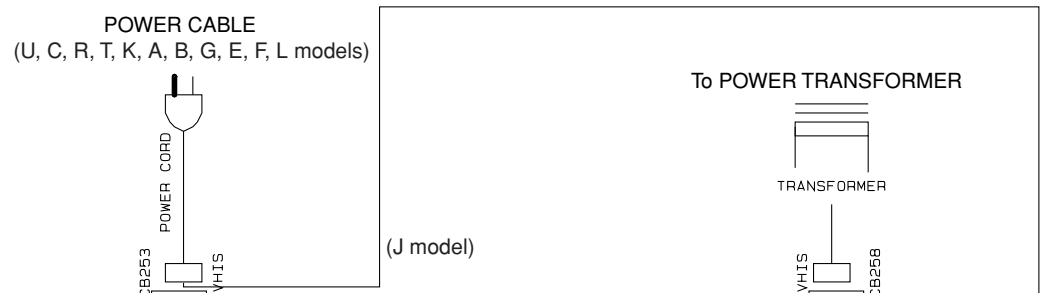
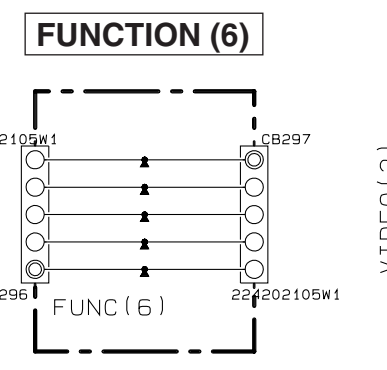


Table with 2 columns: REMARKS and PARTS NAME. Lists capacitor types such as ELECTROLYTIC CAPACITOR, TANTALUM CAPACITOR, CERAMIC CAPACITOR, etc.

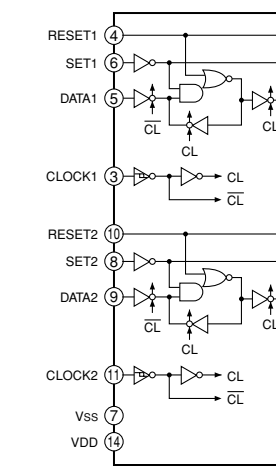
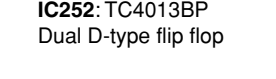
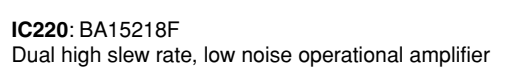
Table with 2 columns: REMARKS and PARTS NAME. Lists resistor types such as CARBON FILM RESISTOR (P=5), CARBON FILM RESISTOR (P=10), METAL OXIDE FILM RESISTOR, etc.

NOTICE (model) (J)..... JAPAN (U)..... U. S. A (C)..... CANADA (R)..... GENERAL (T)..... CHINA (K)..... KOREA (A)..... AUSTRALIA (B)..... BRITISH (G)..... EUROPE (L)..... SINGAPORE (E)..... SOUTH EUROPE (V)..... TAIWAN (F)..... RUSSIAN

Destination Part List table with columns for part numbers and model identifiers (J, U, R, C, T, A, B, GEF, L, K).



VOLTAGE SELECTOR table with columns for voltage and corresponding component values.



Truth table for IC252: TC4013BP Dual D-type flip flop showing inputs (RESET, SET, DATA, CkA, Ck) and outputs (Q1, Q2, Q1-bar, Q2-bar).

* All voltages are measured with a 10MΩ/V DC electronic voltmeter. * Components having special characteristics are marked with a dot, and must be replaced with parts having specifications equal to those originally installed. * Schematic diagram is subject to change without notice.

OPERATION

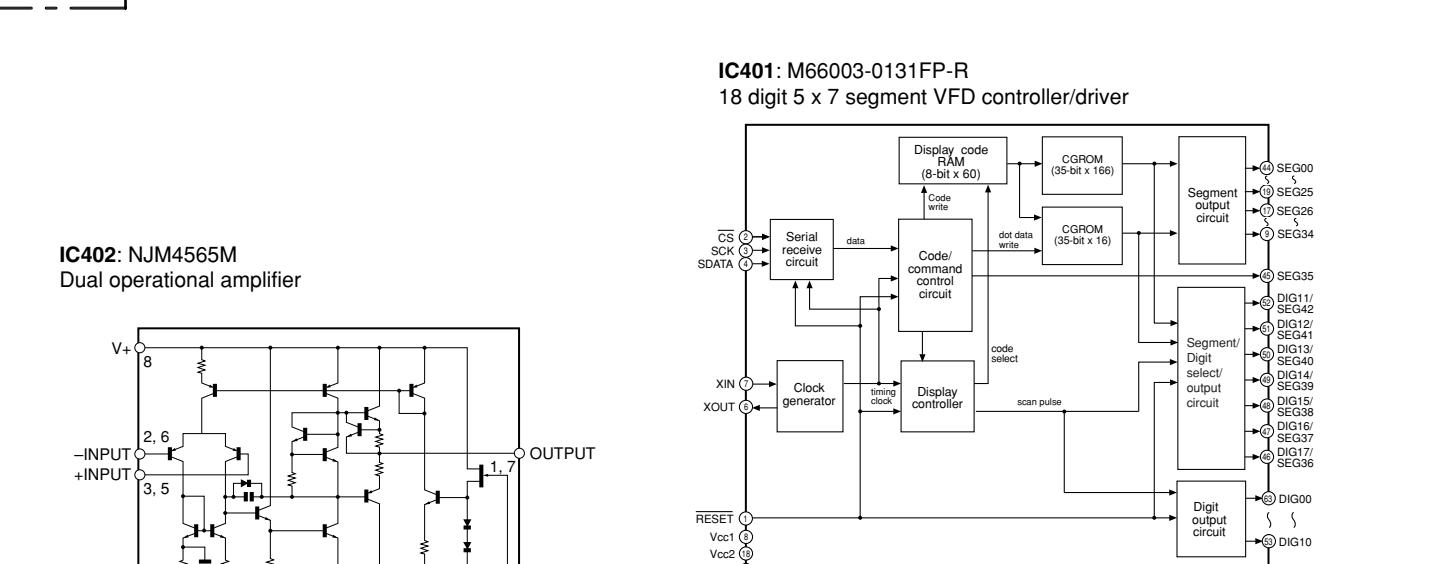
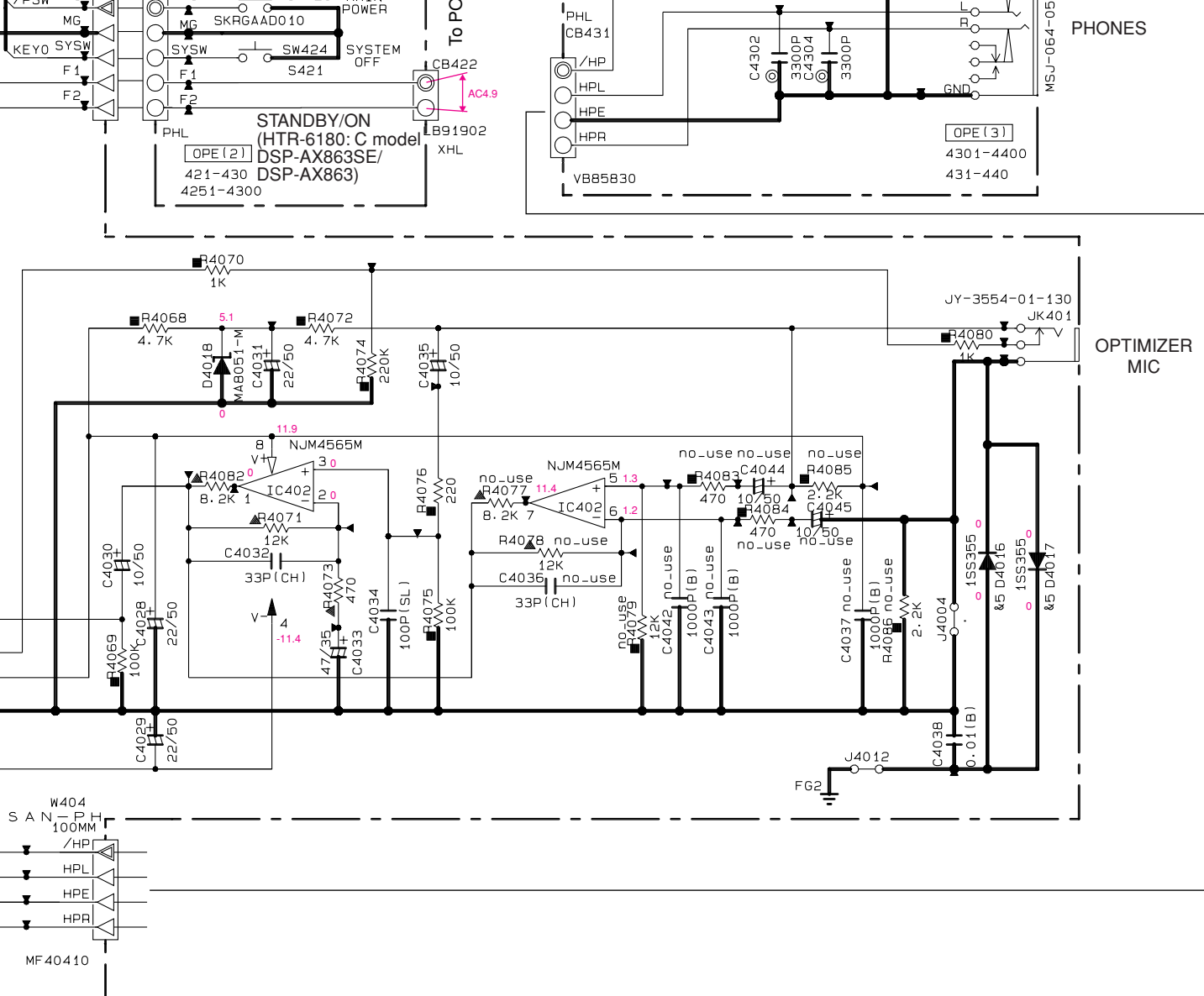
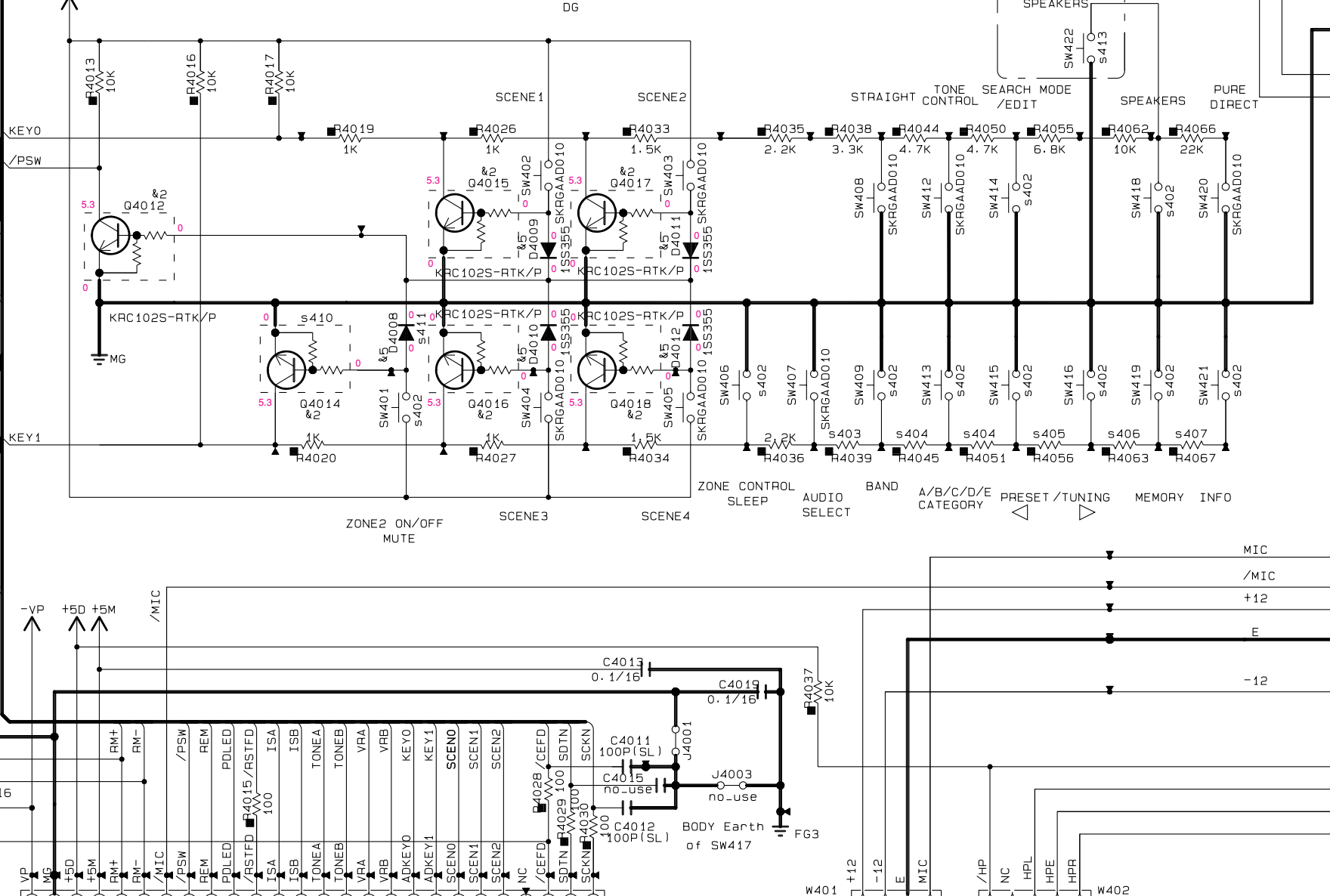
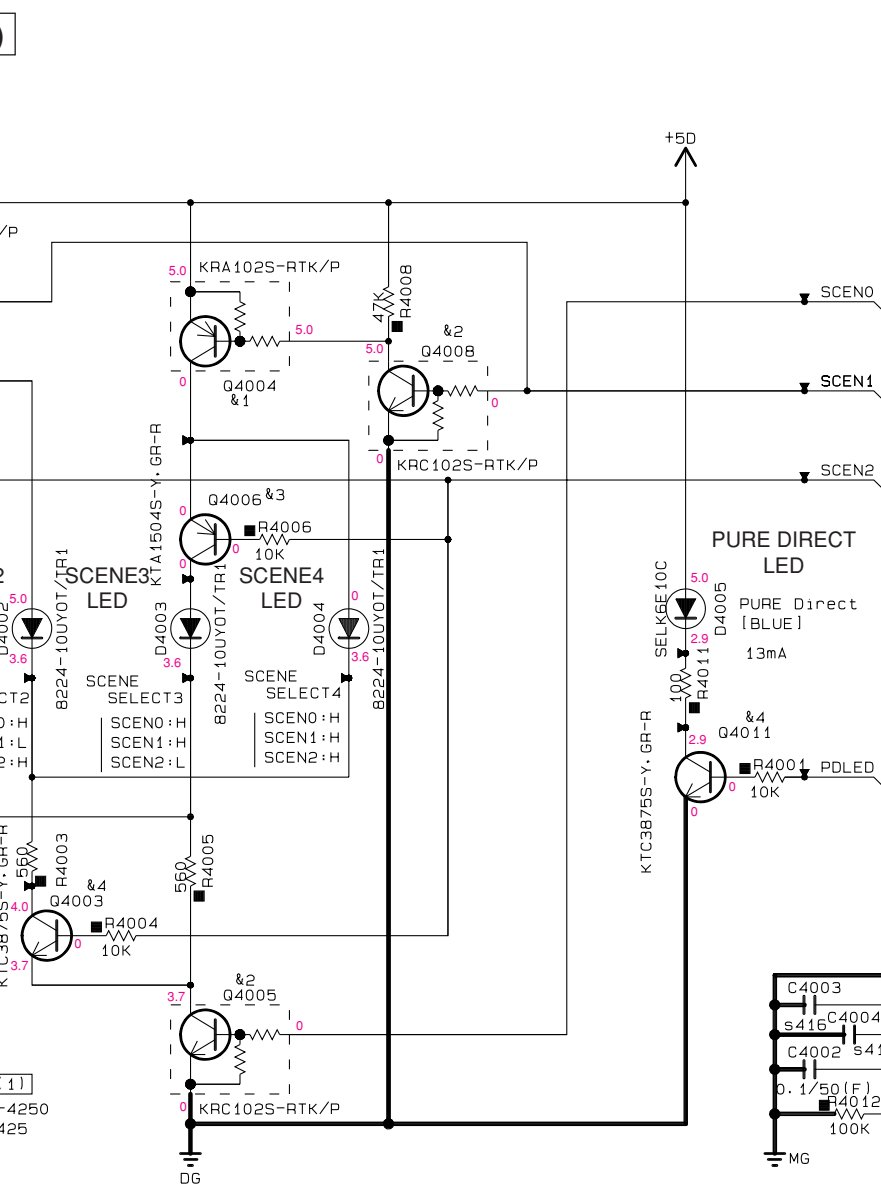
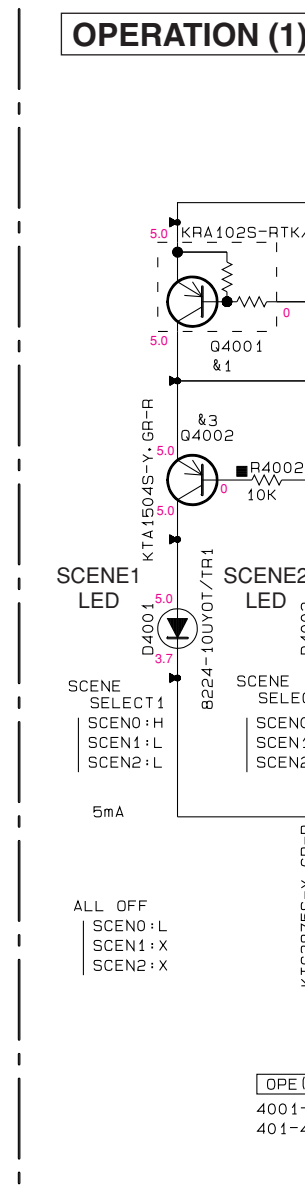
REMARKS	PARTS NAME
NO MARK	CARBON FILM RESISTOR (P=5)
⊠	CARBON FILM RESISTOR (P=10)
△	METAL OXIDE FILM RESISTOR
□	METAL FILM RESISTOR
⊞	METAL PLATE RESISTOR
⊞	FIRE PROOF CARBON FILM RESISTOR
⊞	CEMENT MOLDED RESISTOR
⊞	SEMI VARIABLE RESISTOR
⊞	CHIP RESISTOR

REMARKS	PARTS NAME
NO MARK	ELECTROLYTIC CAPACITOR
⊗	TANTALUM CAPACITOR
NO MARK	CERAMIC CAPACITOR
⊙	CERAMIC TUBULAR CAPACITOR
⊙	POLYESTER FILM CAPACITOR
⊙	POLYSTYRENE FILM CAPACITOR
⊙	MICA CAPACITOR
⊙	POLYPROPYLENE FILM CAPACITOR
⊙	SEMICONDUCTIVE CERAMIC CAPACITOR

NOTICE (model)
 (J)..... JAPAN
 (U)..... U.S.A
 (C)..... CANADA
 (R)..... GENERAL
 (T)..... CHINA
 (K)..... KOREA
 (A)..... AUSTRALIA
 (B)..... BRITISH
 (G)..... EUROPE
 (L)..... SINGAPORE
 (E)..... SOUTH EUROPE
 (V)..... TAIWAN
 (F)..... RUSSIAN

Destination Part List	DSP-AX863	RX-V863	DSP-AX863SE	HTR-6180		
sXX	LOC	J	UCRTKAGEFL	B	UF	C
s402	SW415	WD48310	SKRGAAD010	X	RD35633	RD35633
	SW416	WD48310	SKRGAAD010	X	RD35647	RD35647
	SW421	WD48310	SKRGAAD010	X	RD35668	RD35668
	SW418	WD48310	SKRGAAD010	X	RD35710	RD35710
	SW414	WD48310	SKRGAAD010	X	RD35722	RD35722
	SW413	WD48310	SKRGAAD010	X	RD35710	RD35710
	SW406	WD48310	SKRGAAD010	X	RD35710	RD35710
s403	R4039	RD35633	RD35633	X	RD35633	RD35633
s404	R4045	RD35647	RD35647	X	RD35647	RD35647
s405	R4056	RD35668	RD35668	X	RD35668	RD35668
s406	R4063	RD35710	RD35710	X	RD35710	RD35710
s407	R4067	RD35722	RD35722	X	RD35722	RD35722
s408	R4061	X	RD35710	X	RD35710	X
s409	D4015	X	RD35710	X	RD35710	X
s410	D4014	WC43500	WC43500	X	WC43500	WC43500
s411	D4008	KRC102S-RTK/P	KRC102S-RTK/P	X	KRC102S-RTK/P	KRC102S-RTK/P
s413	SW422	X	WD48310	X	WD48310	X
s416	C4004	X	US96310	X	US96310	X
s421	SW424	X	WD48310	X	WD48310	X
s441	J4401	X	RD35000	X	RD35000	RD35000
s442	C4409	US13510	US13510	X	US13510	X

Mark	Reference Parts Number	Parts Name
k1	Q4001-4004	KRA102S-RTK/P DTA114EKA
k2	Q4005-4008-4012- Q4014-4018	KTA1504S-Y-GR-RTK/P DTA114EKA
k3	Q4002-4006	KTA1504S-Y-GR-RTK/P A1037AK1G/R/S1
k4	Q4003-4007-4009-4011- 4019-4022	KTC3875S-Y-GR-RTK/P C2412K1G/R/S1 2800RUL(M/R/S)
k5	D4008-4012-4016-4017 4302-4303-4401-4404	ISS355 MA2J1110GL KDS150-RTK/P
k6	IC441	TC7SE132FU SN74AHC1632DCKR
k7	V401	17-BT-320NK HNA-17XMGST



★ All voltages are measured with a 10MΩ/V DC electronic voltmeter.
 ★ Components having special characteristics are marked with a star and must be replaced with parts having specifications equal to those originally installed.
 ★ Schematic diagram is subject to change without notice.

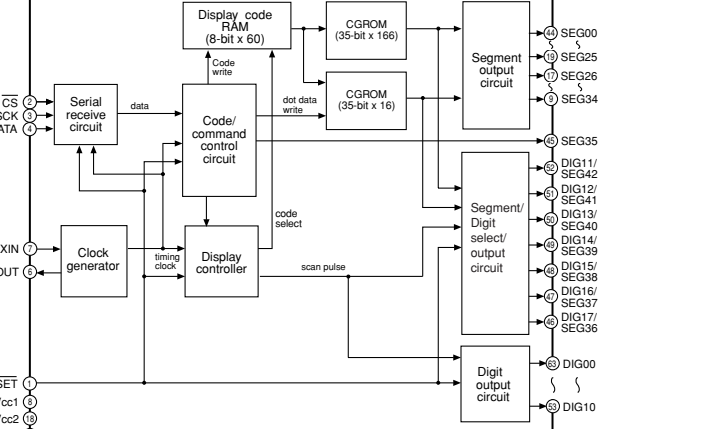
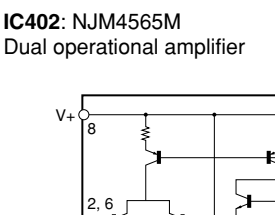
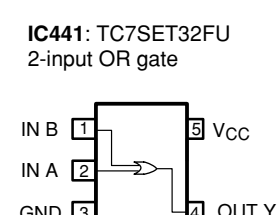
● 電圧は、内部抵抗10MΩの電圧計で測定したものです。
 ● *印のある部品は、安全性確保部品を示しています。部品の交換が必要な場合、パーツリストに記載されている部品を使用してください。
 ● 本回路図は標準回路図です。改良のため予告なく変更することがございます。

Page 108 [B2] to DIGITAL_CB30

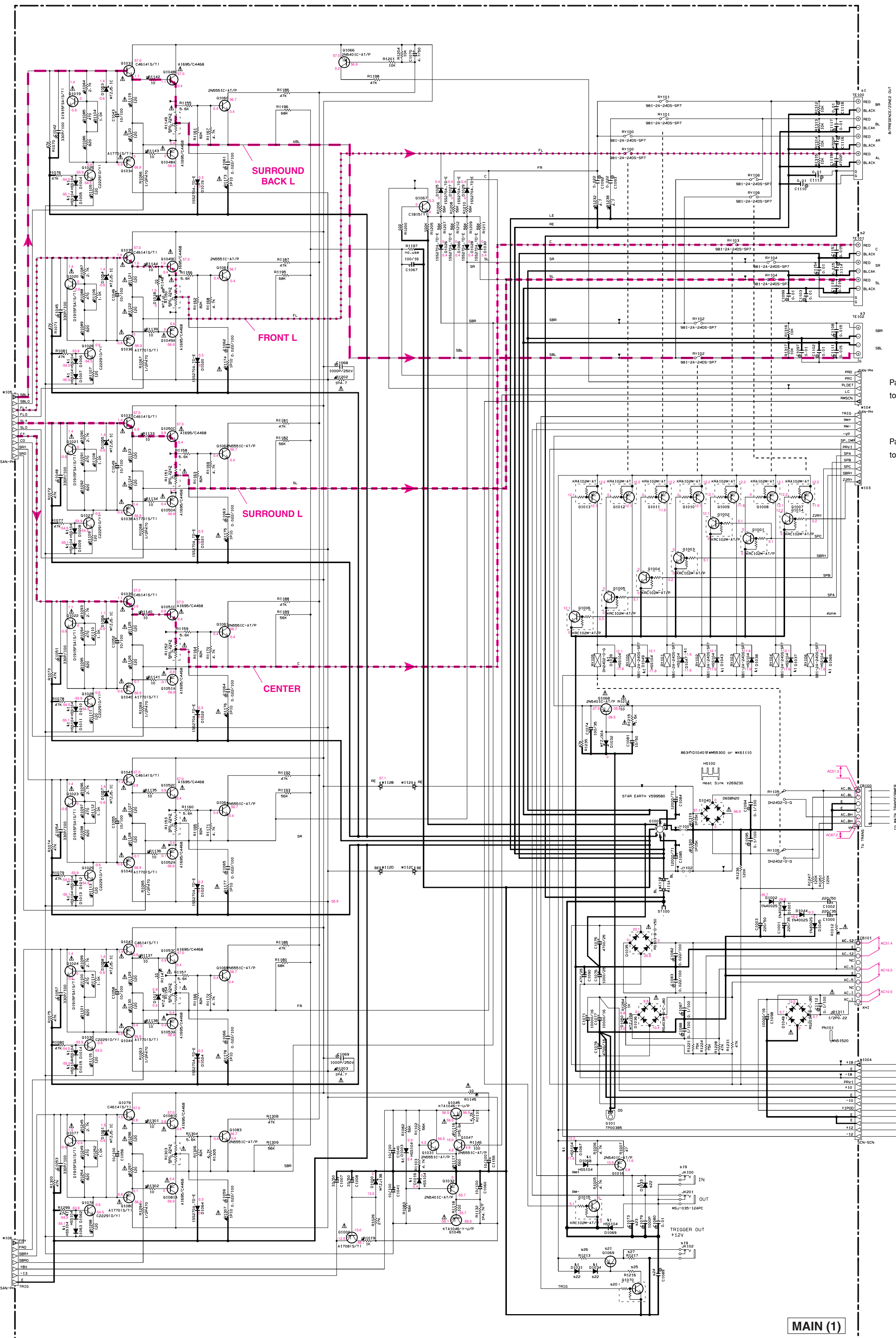
Page 110 [F2] to DIGITAL_CB63

Page 112 [G8] to FUNCTION (1)_CB221

IC401: M66003-0131FP-R 18 digit 5 x 7 segment VFD controller/driver



MAIN



FRONT B/ZONE B/
ZONE2/PRESENCE
FRONT A
CENTER
SURROUND
SURROUND BACK/
BI-AMP

SPEAKERS

Page 108 E2
to DIGITAL_CB32

Page 108 D2
to DIGITAL_CB31

Page 112 B8
to FUNCTION (1)_CB232

Page 112 B8
to FUNCTION (1)_CB231

RESISTOR table with columns: RESISTOR, PARTS NAME, NO. MARK, CARBON FILM RESISTOR (P-5), CARBON FILM RESISTOR (P-10), METAL FILM RESISTOR, METAL OXIDE FILM RESISTOR, METAL PLATE RESISTOR, FINE PITCH CARBON FILM RESISTOR, CEMENT MOUNTED RESISTOR, SEMI-VARIABLE RESISTOR, QUAD RESISTOR

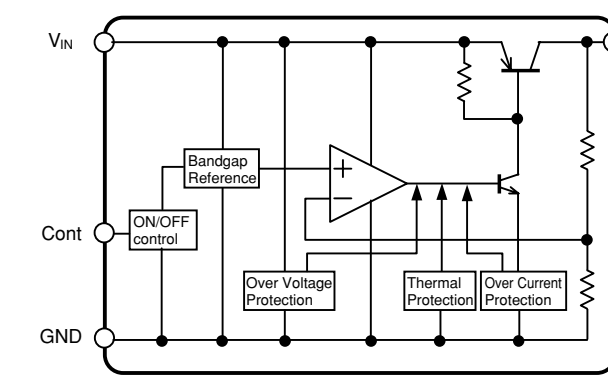
CAPACITOR table with columns: CAPACITOR, PARTS NAME, NO. MARK, ELECTROLYTIC CAPACITOR, TANTALUM CAPACITOR, NO. MARK, FERRIC CAPACITOR, CERAMIC TUBULAR CAPACITOR, POLYESTER FILM CAPACITOR, POLYSTYRENE FILM CAPACITOR, MICA CAPACITOR, POLYPROPYLENE FILM CAPACITOR, SEMICONDUCTIVE CERAMIC CAPACITOR

NOTICE (model) (J) JAPAN (U) U.S.A. (C) CANADA (R) GENERAL (T) CHINA (K) KOREA (A) AUSTRALIA (B) BRITISH (G) EUROPE (L) SINGAPORE (E) SOUTH EUROPE (V) TAIWAN (F) RUSSIAN

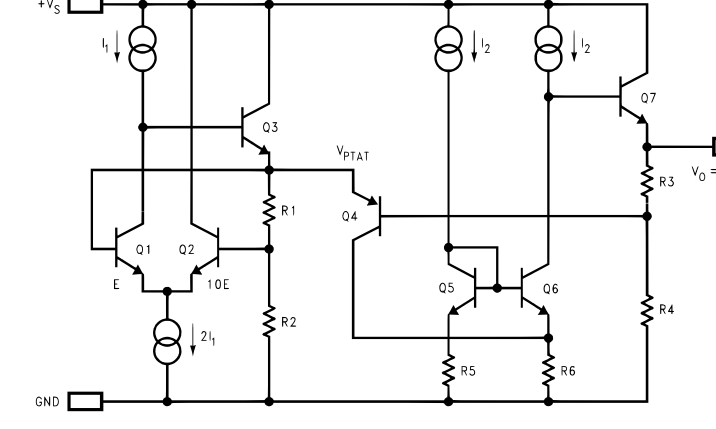
Interchangeable Parts at Manufacture Stage table with columns: MFG, Interchange Parts Number, Parts Name

DEFINITION PART LIST table with columns: DSP-AX863, RX-V863HTR-6180, RX-V863, RX-V863HTR-6180, DSP-AX863SE, HTR-6180

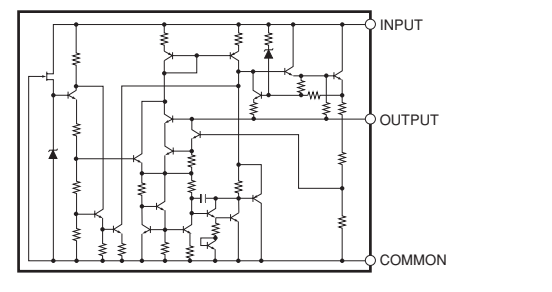
IC100, 102, 106: NJM2388F05 Low dropout voltage regulator with ON/OFF control



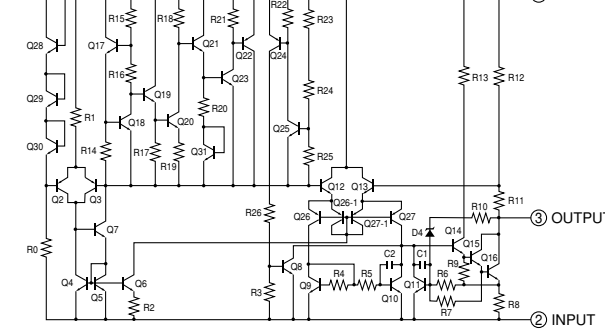
IC101: LM61C1Z Temperature sensor



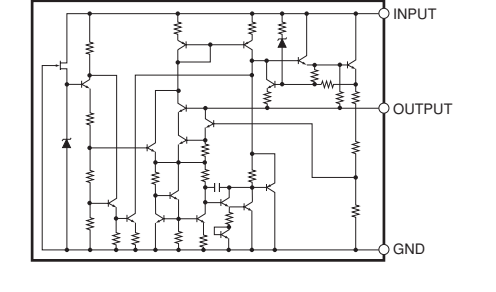
IC104: NJM7812FA Voltage regulator



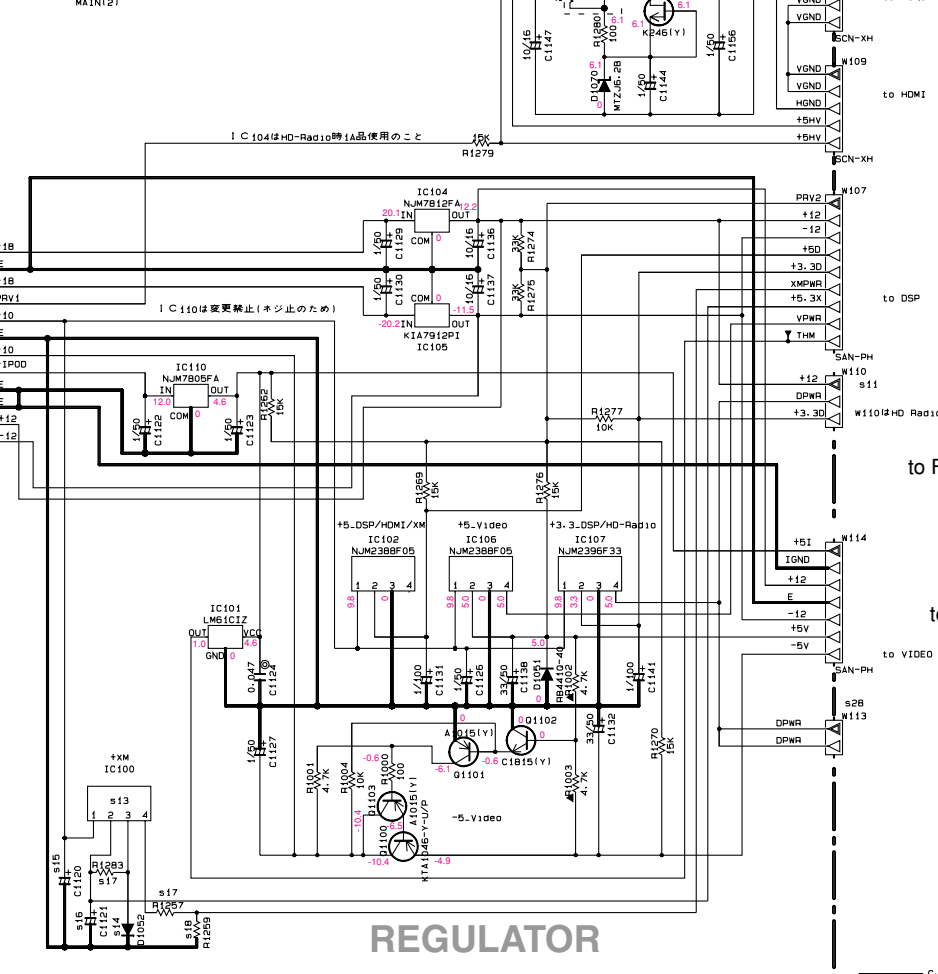
IC105: KIA7912PI Voltage regulator



IC110: NJM7805FA 3-terminal positive voltage regulator



MAIN (2)



REGULATOR

Page 113 B9
to FUNCTION (3)_CB251

Page 111 J2
to DIGITAL_CB82

Page 110 D2
to DIGITAL_CB62

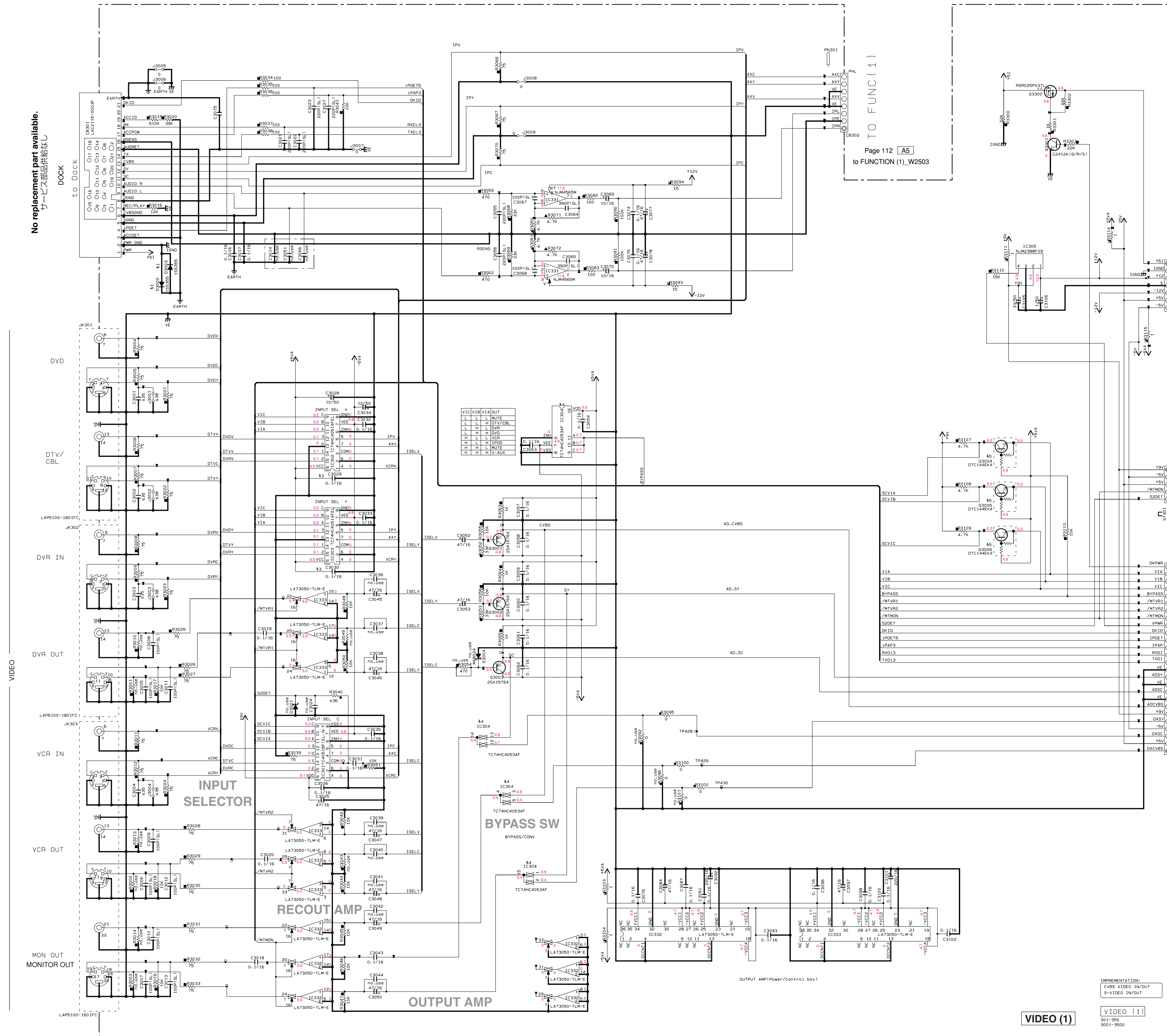
Page 112 J6
to FUNCTION (1)_CB245 (U model)

Page 116 K3
to VIDEO (1)_CB303

Page 108 H2
to DIGITAL_CB38 (J model)

- All voltages are measured with a 10MΩ/V DC electronic voltmeter.
Components having special characteristics are marked with a triangle and must be replaced with parts having specifications equal to those originally installed.
Schematic diagram is subject to change without notice.
電圧は、内部抵抗10MΩの電圧計で測定したものです。
△印のある部品は、安全性確保部品を示しています。部品の交換が必要な場合、パーツリストに記載されている部品を使用してください。
●本回路図は標準回路図です。改良のため予告なく変更することがございます。

No replacement part available.
カーネーション部品は無し



Page 112 [A5]
to FUNCTION (1)_W2503

Interchangeable Parts at Manufacture-Stage

Part No.	Reference Parts Number	Part's Name
41	Q3002-3003-3500-3504	ISS385 M42J1100L K05160-RTK/P
42	IC303	TC74HC4053AFEL-F1 M74HC4053JL-NL
43	IC302-303	TC74HC4051AFEL M74HC4051JL-NL
44	IC304	TC74HC4053AFEL-F1 M74HC4053JL-NL
45	Q3004-3006	DT144EK KRC1045-RTK/P
46	Q3001	KRC1023-RTK/P DT144EK

NOTICE (model)
(J)..... JAPAN
(U)..... U.S.A
(C)..... CANADA
(R)..... GENERAL
(T)..... CHINA
(K)..... KOREA
(A)..... AUSTRALIA
(B)..... BRITISH
(G)..... EUROPE
(L)..... SINGAPORE
(E)..... SOUTH EUROPE
(V)..... TAIWAN
(F)..... RUSSIAN

RESISTOR

REMARKS	PARTS NAME
NO MARK	CARBON FILM RESISTOR (P=5)
NO MARK	CARBON FILM RESISTOR (P=10)
△	METAL OXIDE FILM RESISTOR
▲	METAL FILM RESISTOR
□	METAL PLATE RESISTOR
■	FIRE PROOF CARBON FILM RESISTOR
⊞	CEMENT MOLDED RESISTOR
⊚	SEMI VARIABLE RESISTOR
⊙	CHIP RESISTOR

Destination Part List

SXX	LOC	J	UCRTKABEFL
S35	C3004	US13510	X
	C3001	0.1/16	
	C3003		
S38	R3040	RD35610	X
	J3002		
	J3004		
	J3001		
	J3003		

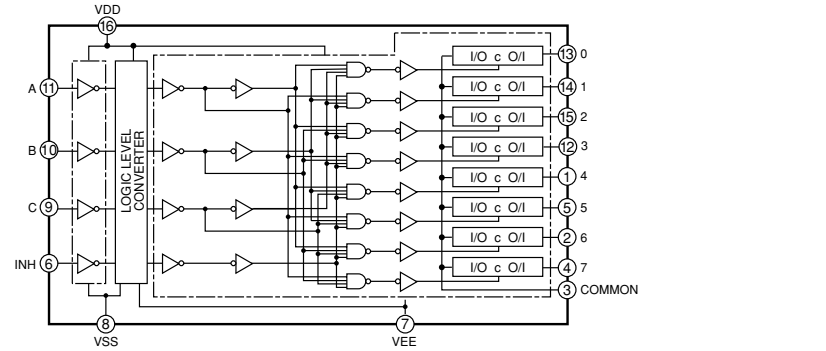
Page 115 [K9]
to MAIN (2)_W114

CAPACITOR

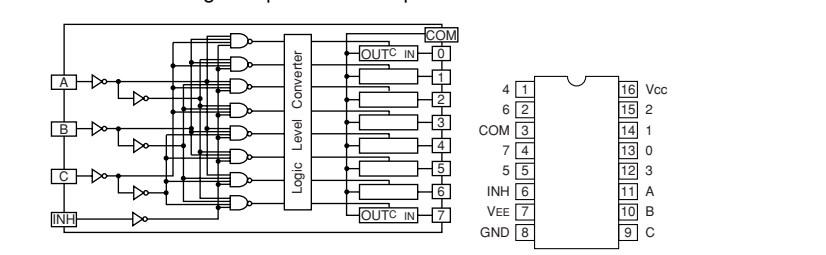
REMARKS	PARTS NAME
NO MARK	ELECTROLYTIC CAPACITOR
⊗	TANTALUM CAPACITOR
NO MARK	CERAMIC CAPACITOR
⊙	CERAMIC TUBULAR CAPACITOR
○	POLYESTER FILM CAPACITOR
○	POLYSTYRENE FILM CAPACITOR
⊖	MICA CAPACITOR
⊕	POLYPROPYLENE FILM CAPACITOR
⊙	SEMICONDUCTIVE CERAMIC CAPACITOR

Page 113 [B5]
to FUNCTION (6)_CB296

IC301: TC4051BF
Multiplexer/demultiplexer

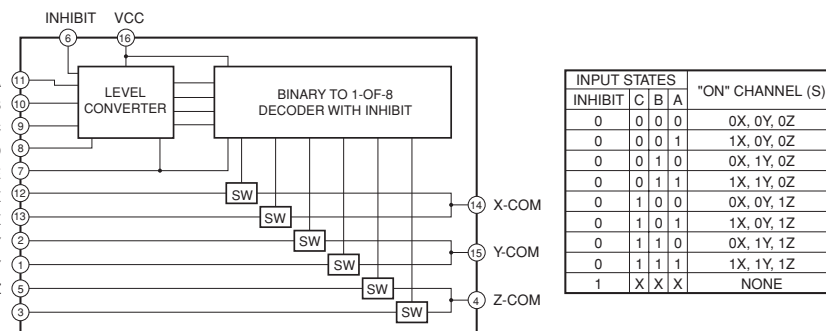


IC302, 303: TC74HC4051AFEL
8-channel analog multiplexer/demultiplexer

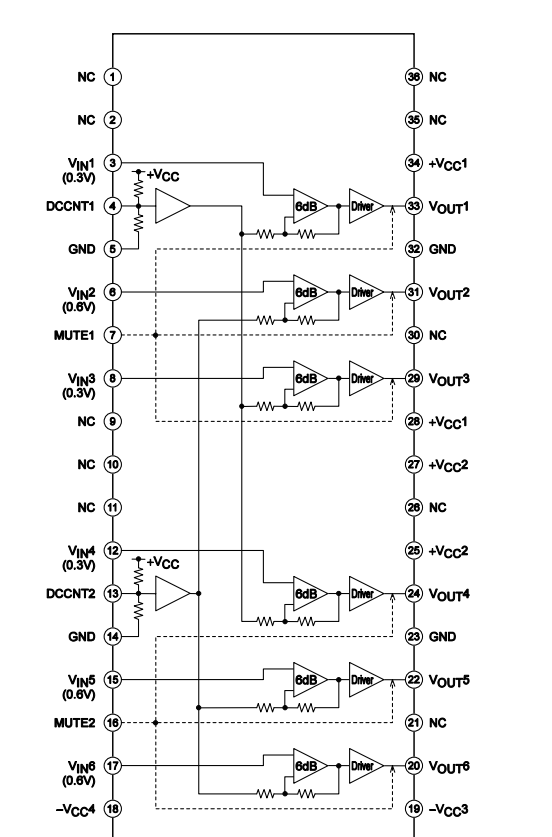


Page 111 [E2]
to DIGITAL_CB80

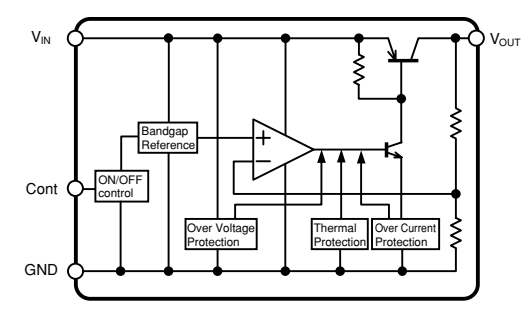
IC304: TC74HC4053AF
Analog multiplexer/demultiplexer



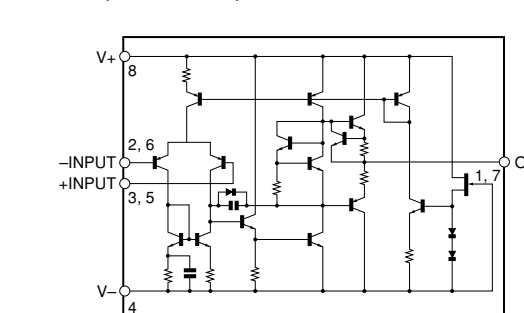
IC332, 333: LA73050-TLM-E
6-channel 75-ohm video driver



IC305: NJM2388F09
Low dropout voltage regulator with ON/OFF control



IC331: NJM4565M
Dual operational amplifier

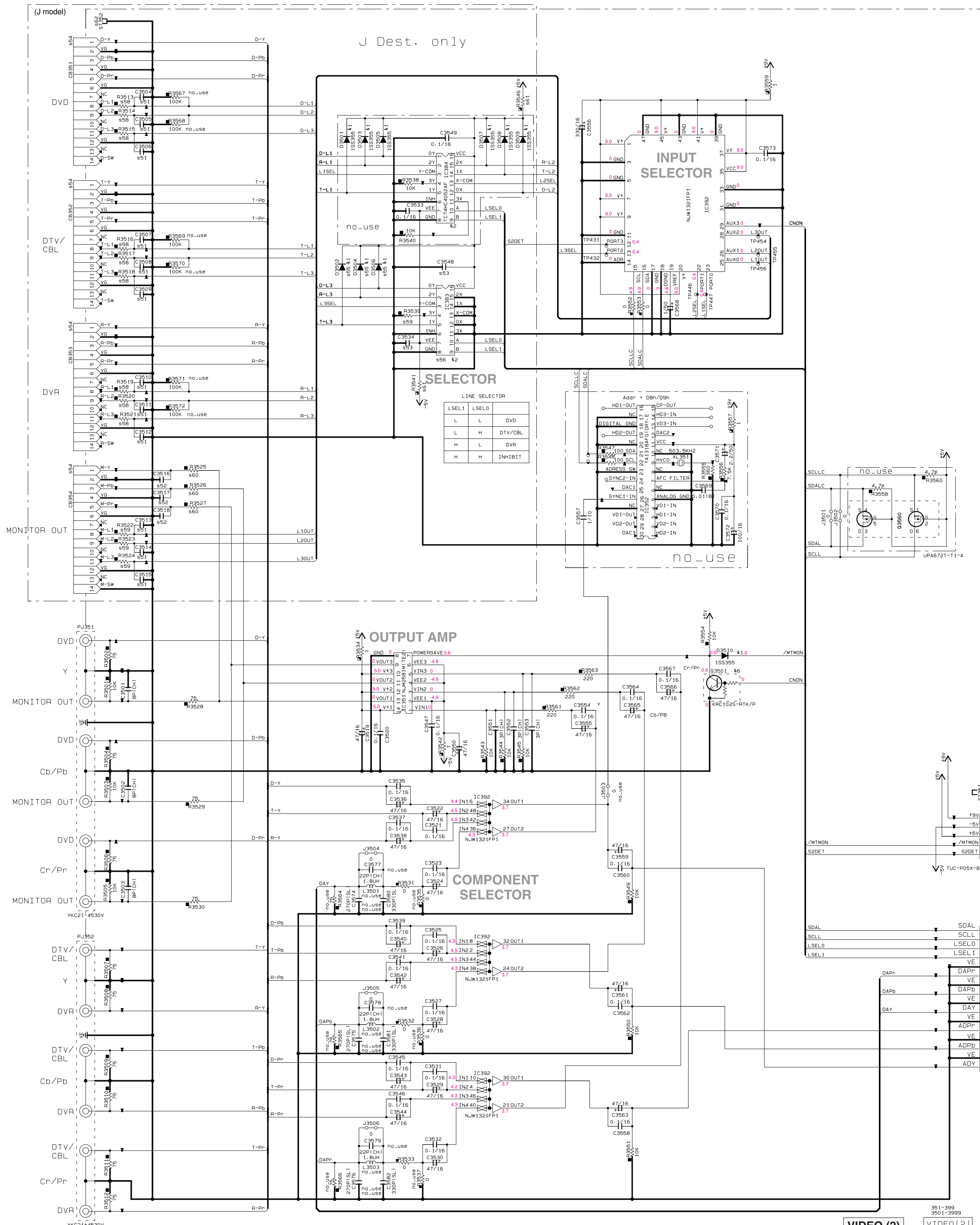


VIDEO (1)

VIDE0863 sht001

★ All voltages are measured with a 10MΩ/V DC electronic voltmeter.
● 電圧は、内部抵抗10MΩの電圧計で測定したものです。
★ Components having special characteristics are marked * and must be replaced with parts having specifications equal to those originally installed.
● *印のある部品は、安全性確保部品を示しています。部品の交換が必要な場合、パーツリストに記載されている部品を使用してください。
★ Schematic diagram is subject to change without notice.
● 本回路図は標準回路図です。改良のため予告なく変更することがございます。

VIDEO 2/2



Destination Part List

EXX	LOC	J	UCR/KAB/EFL
951	C3513	US06410	X
	C3514	0.01B1	
	C3515		
	C3516		
	C3517		
952	C3518	US06900	X
	C3519	BR1CH1	
	C3520		
	C3521		
953	C3548	US11910	X
	C3549	0.1/16	
	C3550		
954	C3554	MD39840	X
	C3555	VK745-3011	
	C3556		
	C3557		
	C3558		
	C3559		
955	C3556	VT33900	X
	D3504		
	D3502		
956	IC383	X579040	X
958	R3513	RD35910	X
	R3514	100	
	R3515		
	R3516		
	R3517		
	R3518		
	R3519		
	R3520		
959	R3524	RD35710	X
	R3523	10K	
	R3522		
	R3521		
	R3520		
	R3519		
	R3518		
	R3517		
	R3516		
	R3515		
	R3514		
	R3513		
960	R3541	RD35475	X
	R3540	75	
	R3539		
	R3538		
	R3537		
	R3536		
	R3535		
	R3534		
	R3533		
	R3532		
	R3531		
961	R3541	HV75310	X
	R3540		
	R3539		
	R3538		
	R3537		
	R3536		
	R3535		
	R3534		
	R3533		
	R3532		
	R3531		
962	S1352	X	V404050

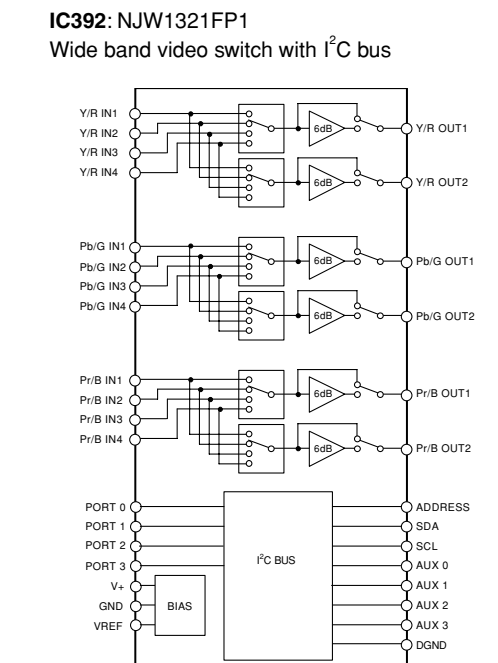
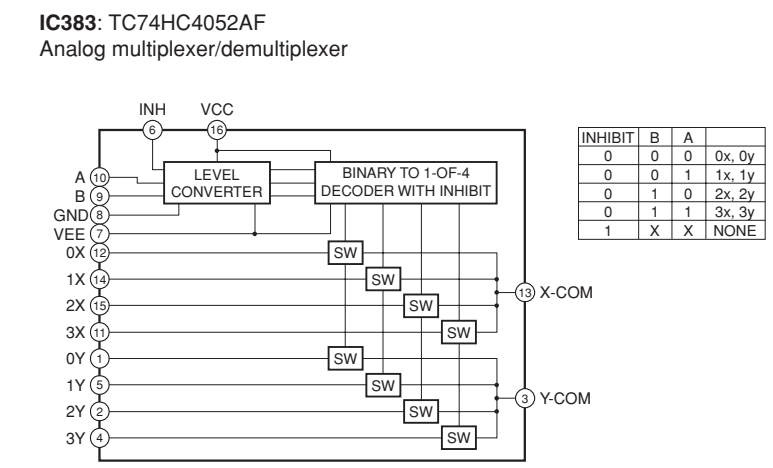
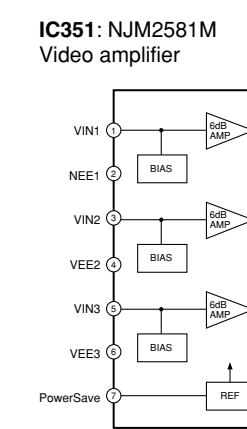
NOTICE (model)
 (J)..... JAPAN
 (U)..... U.S.A
 (C)..... CANADA
 (A)..... GENERAL
 (T)..... CHINA
 (K)..... KOREA
 (A)..... AUSTRALIA
 (B)..... BRITISH
 (G)..... EUROPE
 (L)..... SINGAPORE
 (E)..... SOUTH EUROPE
 (V)..... TAIWAN
 (F)..... RUSSIAN

CAPACITOR

REMARKS	PARTS NAME	
NO MARK	ELECTROLYTIC CAPACITOR	EF
NO MARK	TANTALUM CAPACITOR	
NO MARK	CERAMIC CAPACITOR	
⊙	CERAMIC TUBULAR CAPACITOR	
⊖	POLYESTER FILM CAPACITOR	
○	POLYSTYRENE FILM CAPACITOR	
⊕	MICA CAPACITOR	
⊖	POLYPROPYLENE FILM CAPACITOR	
⊕	SEMICONDUCTIVE CERAMIC CAPACITOR	

RESISTOR

REMARKS	PARTS NAME	
NO MARK	CARBON FILM RESISTOR (P=5)	
□	CARBON FILM RESISTOR (P=10)	
△	METAL OXIDE FILM RESISTOR	
⊖	METAL FILM RESISTOR	
⊕	METAL PLATE RESISTOR	
⊖	FIRE PROOF CARBON FILM RESISTOR	
□	CEMENT MOLDED RESISTOR	
⊖	SEMI VARIABLE RESISTOR	
⊕	CHIP RESISTOR	



TO FUNC(6)
Page 113 [C5]
to FUNCTION (6)_CB297

TO DIGITAL
Page 111 [G2]
to DIGITAL_CB81

* All voltages are measured with a 10MΩ/V DC electronic voltmeter.
 * Components having special characteristics are marked .f. and must be replaced with parts having specifications added to those originally installed.
 * Schematic diagram is subject to change without notice.

● 電圧は、内部抵抗10MΩの電圧計で測定したものです。
 ● .f印のある部品は、安全性確保部品を示しています。部品の交換が必要な場合、パーツリストに記載されている部品を使用してください。
 ● 本回路図は標準回路図です。改良のため予告なく変更することがございます。